



# SHENZHEN AGLARE LIGHTING CO., LTD.

Tel: +86-755-88868631

FAX: +86-755-88863251

E-mail: [Aglare@aglare.cn](mailto:Aglare@aglare.cn)

Website: <http://www.aglare.cn>

Add: Factory A, Supply and Marketing Cooperative Park Guanlan Avenue, Guanlan Town Bao'an District, Shenzhen City, Guangdong, China

## YJ-FLF185W10 led flood light

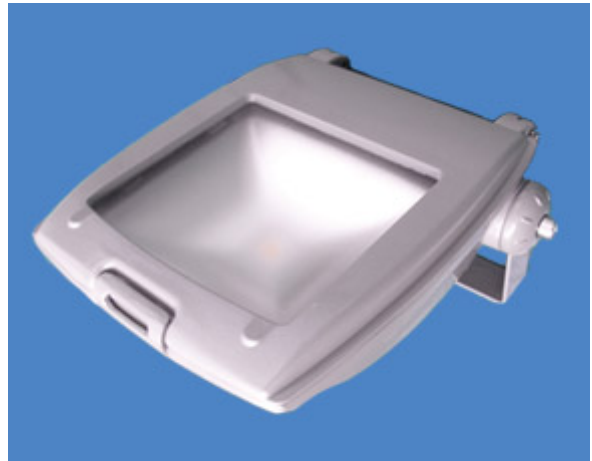
### 1. Features:

- × Low power consumption, vivid lighting color
- ×Defending Electricity Leakage
- ×Easy to install, maintenance free
- ×Big viewing angle, long lifespan
- ×Green product, compliant with ROHS and CE.

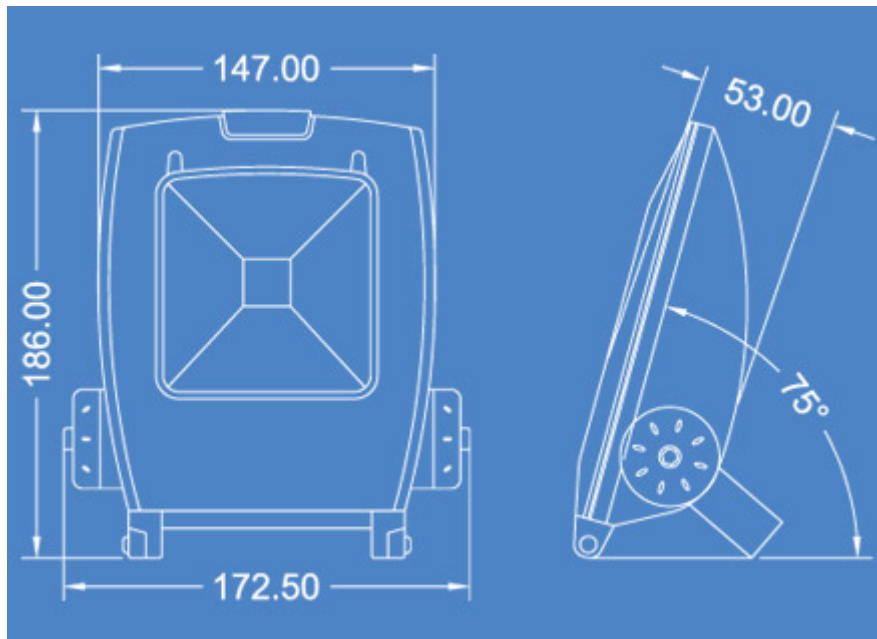
### 2. Application:

illumination for park, Garden, building, street, tunnel parking lot ,billboard ,factory and wall washing

### Picture



### 2. Package Dimensions (mm):



- 1).All dimensions are in millimeters
- 2).Tolerance is 0.5 mm unless otherwise noted
- 3).Voltage supply:AC85-AC265V



# SHENZHEN AGLARE LIGHTING CO., LTD.

Tel: +86-755-88868631

FAX: +86-755-88863251

E-mail: [Aglare@aglare.cn](mailto:Aglare@aglare.cn)

Website: <http://www.aglare.cn>

Add: Factory A, Supply and Marketing Cooperative Park Guanlan Avenue, Guanlan Town Bao'an District, Shenzhen City, Guangdong, China

## 4.YJ-FLF185W10 Characteristic:

### LIGHT EMITTING DIODE LAMPS

#### Absolute maximum ratings

	Symbol	Value	Unit
Input Voltage	u	AC85-265	V
Frequency Range	F	50-60	HZ
Power Factor		0.65	
Power Efficiency		70-80%	
Working voltage	u	DC9.6-11.5	V
Forward current	I	960	mA
System Consumption	P	13	W
Led Consumption	P	10	W
LED Luminous Efficiency		60-100Lm/W	
LED Initial Flux	WW	800	Lm
	PW	850	Lm
	CW	820	Lm
Lamp's Efficiency		>90%	
Average Luminance	Height=4M	3	Lux
	Height=6M	1.5	Lux
	Height=8M	0.8	Lux



# SHENZHEN AGLARE LIGHTING CO., LTD.

Tel: +86-755-88868631 FAX: +86-755-88863251 E-mail: [Aglare@aglare.cn](mailto:Aglare@aglare.cn) Website: <http://www.aglare.cn>  
 Add: Factory A, Supply and Marketing Cooperative Park Guanlan Avenue, Guanlan Town Bao'an District, Shenzhen City, Guangdong, China

Luminance Area 120degree	Height=4M	17*17M	
	Height=6M	26*26M	
	Height=8M	34.5*34.5M	
Luminance Uniformity	>0.5		
Color Temperature	WW	2700-3900	K
	PW	3900-6500	K
	CW	6500-8000	K
Color Rendering Index	WW	Ra>68	
	PW,CW	Ra>75	
LED Junction Temperature	Top	<=80	°C
Operating temperature range	Top	-40~+55	°C
Storage temperature range	Top	-25~+65	°C

## 5, Absolute Maximum Rating at TA=25°C :

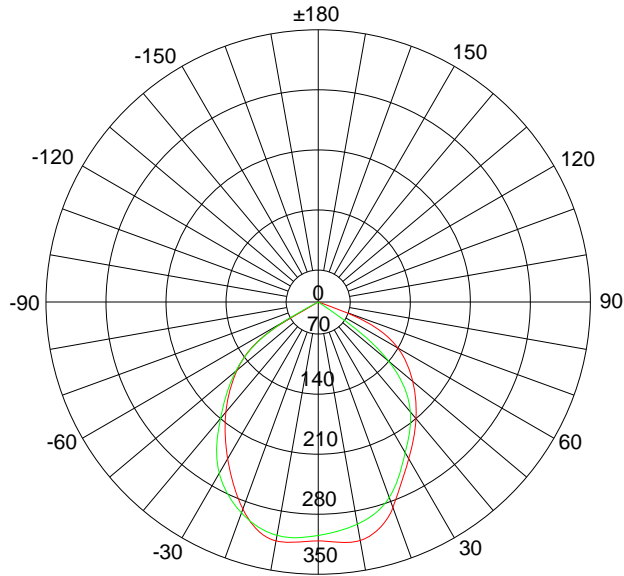
Part Number	Emitting Color	Input Voltage	Wattage	Waterproof Degree	LED Quantity	Luminous Intensity(Lm)		Net Weight(g)	Working Life-span (H)
						MIN	MAX		
YJ-FLF185R 10	Red	AC85V- AC265V	10W	IP65	1pcs	550	650	770g	50000
YJ-FLF185G 10	Green		10W	IP65	1pcs	550	650	770g	50000
YJ-FLF185B 10	Blue		10W	IP65	1pcs	140	180	770g	50000
YJ-FLF185Y 10	Yellow		10W	IP65	1pcs	550	600	770g	50000
YJ-FLF185W 10	Pure White		10W	IP65	1pcs	700	1000	770g	50000
YJ-FLF185W W10	Warm White		10W	IP65	1pcs	650	900	770g	50000



# SHENZHEN AGLARE LIGHTING CO., LTD.

Tel: +86-755-88868631 FAX: +86-755-88863251 E-mail: [Aglare@aglare.cn](mailto:Aglare@aglare.cn) Website: <http://www.aglare.cn>  
Add: Factory A, Supply and Marketing Cooperative Park Guanlan Avenue, Guanlan Town Bao'an District, Shenzhen City, Guangdong, China

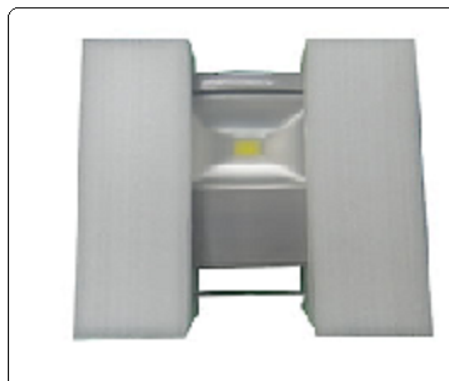
## 6, Light Distribution:



— V 0.0°  
— H 0.0°

## 8.Package Information:

Net (g)	Gross (kg)	Carton1 Size (CM)	Carton2 Size (CM)	Q'ty/Carton 1
770	7.0	25*21*14	42.2*48.2*50.2	8





# SHENZHEN AGLARE LIGHTING CO., LTD.

Tel: +86-755-88868631

FAX: +86-755-88863251

E-mail: [Aglare@aglare.cn](mailto:Aglare@aglare.cn)

Website: <http://www.aglare.cn>

Add: Factory A, Supply and Marketing Cooperative Park Guanlan Avenue, Guanlan Town Bao'an District, Shenzhen City, Guangdong, China

## 8, After-sales service:

All products are guaranteed to use in one year. Under the right and normal using condition, quality warranty is based on correct conservation, assemblage, and maintenance. As incorrect usage, and disobeying product operation, it's not guaranteed. To the problem within promised time, "Aglare" will solve it by repair, substitute accessories or replacement for your option. Upon exceeding the promised time, there will be material and maintenance fees to be paid by customers.

**TEL: +86-755-88868631    FAX: +86-755-88863251    E-mail: [service@aglare.cn](mailto:service@aglare.cn)**