



SHENZHEN AGLARE LIGHTING CO., LTD.

Tel: +86-755-88868631 FAX: +86-755-88863251 E-mail: Aglare@aglare.cn Website: <http://www.aglare.cn>
Add: Factory A, Supply and Marketing Cooperative Park Guanlan Avenue, Guanlan Town Bao'an District, Shenzhen City, Guangdong, China

Specification for Approval

Customer: _____

Product: YJ-MKF5050W216

Part No.: _____

Ref. No: _____

Date: 2010.7.16

Made by Shenzhen Aglare Lighting Co. Ltd

Production Dept	Q.C. Dept	Engineering Dept	Marketing Dept
Wen Liu	Fang Yang	Jiang Yang	Fang Wang

Approved by

Engineering Dept	Production Dept	Q.C. Dept	Manager



SHENZHEN AGLARE LIGHTING CO., LTD.

Tel: +86-755-88868631

FAX: +86-755-88863251

E-mail: Aglare@aglare.cn

Website: <http://www.aglare.cn>

Add: Factory A, Supply and Marketing Cooperative Park Guanlan Avenue, Guanlan Town Bao'an District, Shenzhen City, Guangdong, China

YJ-MKF5050W216

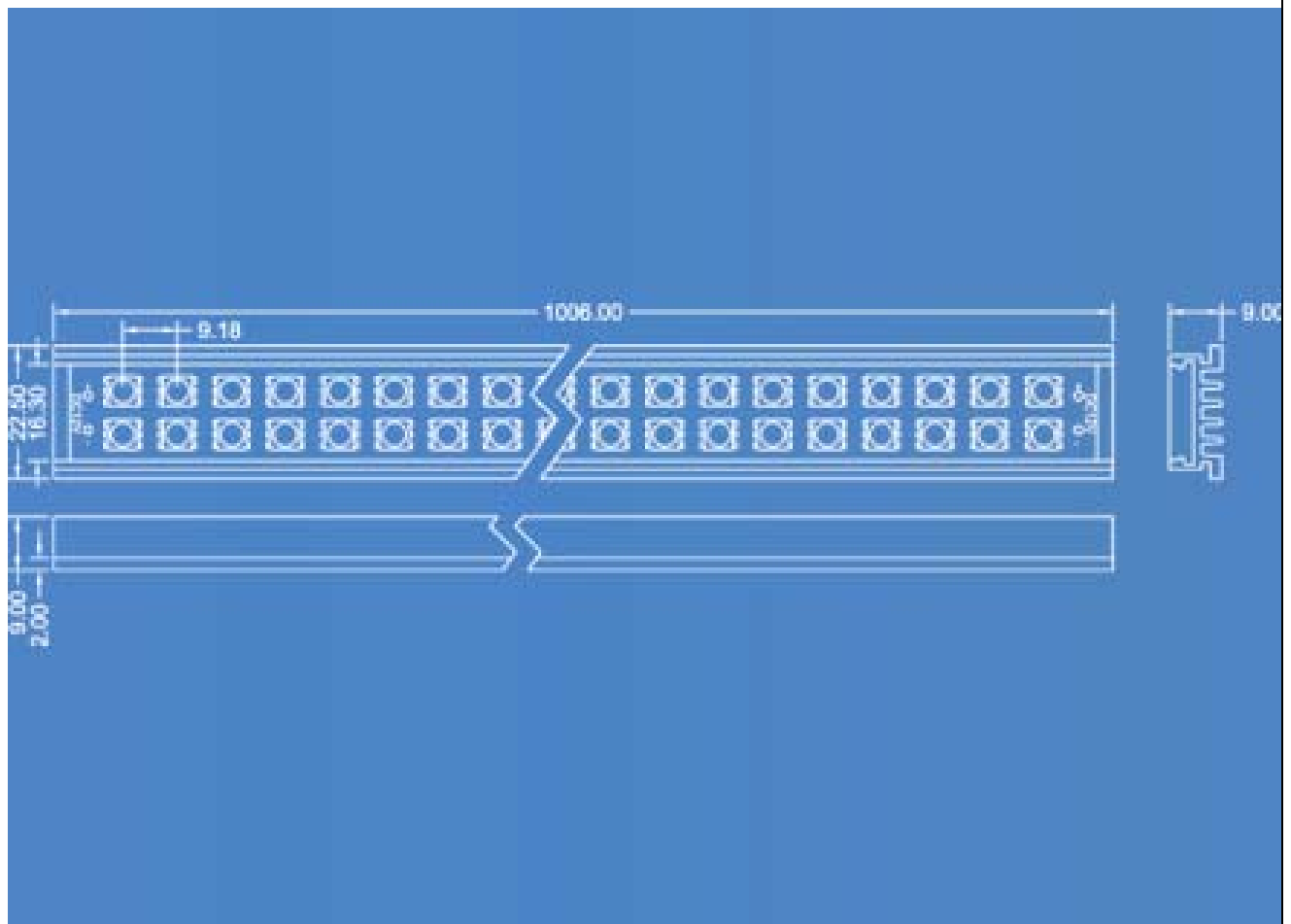
Features:

1. LED quantity: 216 pieces
2. LED type: 5050 SMD LED
3. Operating condition: DC46mA
4. Input voltage: DC 12V
5. Total power consumption: 45W
6. Colors available: red, blue, green, yellow and white
7. Luminous intensity: R(1700-2600LM), G(2600-3000LM), B(432-864LM), Y(1700-2600LM), W(3000-3900LM), WW(2600-3300LM)
8. Net weight: 310g
9. Water-proof degree: IP68
10. Length: 1m per unit

Picture:



3.Package Dimensions (mm):





SHENZHEN AGLARE LIGHTING CO., LTD.

Tel: +86-755-88868631 FAX: +86-755-88863251 E-mail: Aglare@aglare.cn Website: <http://www.aglare.cn>
Add: Factory A, Supply and Marketing Cooperative Park Guanlan Avenue, Guanlan Town Bao'an District, Shenzhen City, Guangdong, China

4. Absolute Maximum Rating at TA=25°C :

Part Number	Emitting Color	Input Voltage	Wattage	Waterproof Degree	LED Quantity	Luminous Intensity(Lm)		Net Weight
						MIN	MAX	
YJ-MKF5050W216R	Red	DC12V	45W	IP68	216PCS	1700	2600	310g
YJ-MKF5050W216G	Green		45W	IP68		2600	3000	310g
YJ-MKF5050W216B	Blue		45W	IP68		432	864	310g
YJ-MKF5050W216Y	Yellow		45W	IP68		1700	2600	310g
YJ-MKF5050W216W	Pure White		45W	IP68		3000	3900	310g
YJ-MKF5050W216WW	Warm White		45W	IP68		2600	3300	310g

5. Characteristic:

Electro-Optical characteristics (Pure White Ta=25°C)

Parameter	Test Condition	Symbol	Value			Unit
			Min	Typ	Max	
Color Temperature	If=17mA		5000		6500	K
Power consumption	If=17mA		44	45	46	W
Viewing angle at 50% IV	If=17mA			120		deg
Luminous Intensity	If=17mA		3000	3500	3900	Lm
Useful life	IF=17mA		30000		50000	H

6. Lumen Decrease

Operating time (hours)	Lumen decrease [%]
1000	8
5000	15
10000	22



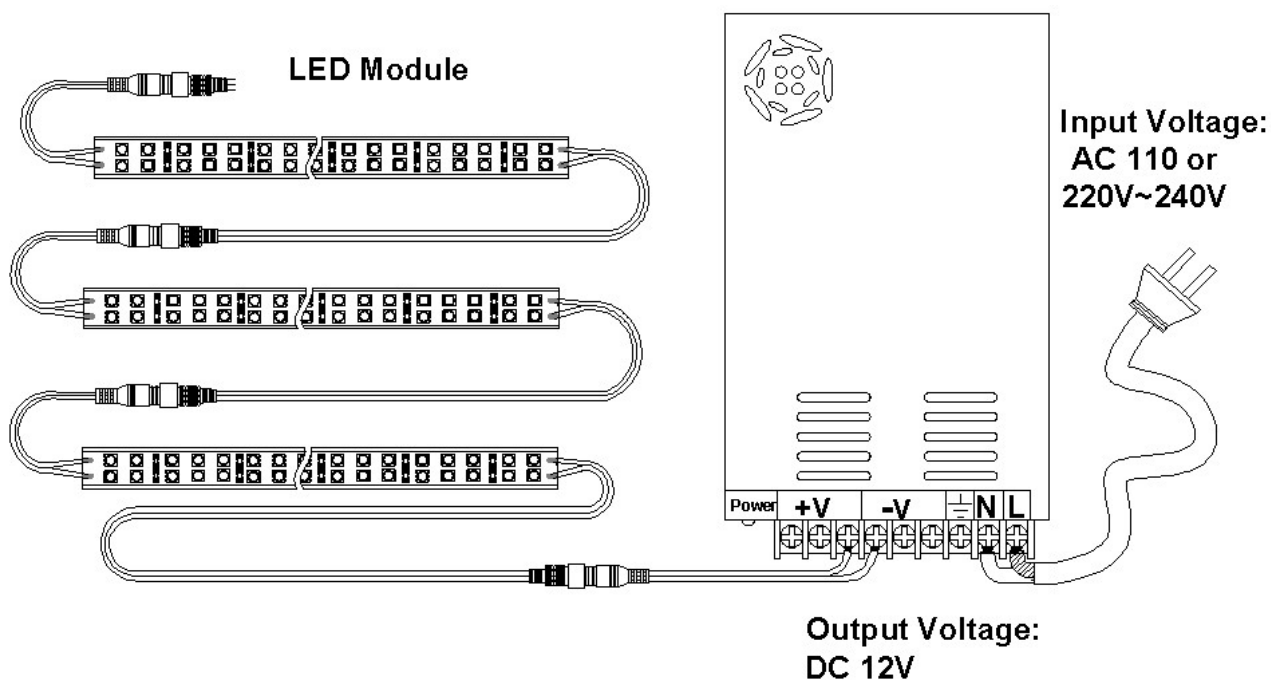
SHENZHEN AGLARE LIGHTING CO., LTD.

Tel: +86-755-88868631 FAX: +86-755-88863251 E-mail: Aglare@aglare.cn Website: <http://www.aglare.cn>
Add: Factory A, Supply and Marketing Cooperative Park Guanlan Avenue, Guanlan Town Bao'an District, Shenzhen City, Guangdong, China

7. Caution:

- 6.1 Applicable Voltage: DC12V.
- 6.2 Operating temperature: $-30^{\circ}\text{C} \sim +50^{\circ}\text{C}$.
- 6.3 The power voltage is permitted in $+10\% \sim -10\%$ fluctuating. If it's beyond the said scope, it would influence lifespan, even unlighted or burnt out.
- 6.4 Make sure connecting wire is connected and sealed well to avoid defending Electricity Leakage.
- 6.5 Make sure waterproof protection, and no defending Water leakage before connecting to extra power supply.
- 6.6 Before maintenance, make sure the power cut off. After assembling right, it can be connected power to use.
- 6.7 No breaking to any stipulation of fireproofing. Please ask Professional to install.

8. Installation



9. After-sales service:

All products are guaranteed to use in one year. Under the right and normal using condition, quality warranty is based on correct conservation, assemblage, and maintenance. As incorrect usage, and disobeying product operation, it's not guaranteed. To the problem within promised time, "Aglare" will solve it by repair, substitute accessories or replacement for your option. Upon exceeding the promised time, there will be material and maintenance fees to be paid by customers.

TEL: +86-755-88868631 FAX: +86-755-88863251 E-mail: service@aglare.cn