



# SHENZHEN AGLARE LIGHTING CO., LTD.

Tel: +86-755-88868631

FAX: +86-755-88863251

E-mail: [Aglare@aglare.cn](mailto:Aglare@aglare.cn)

Website: <http://www.aglare.cn>

Add: Factory A, Supply and Marketing Cooperative Park Guanlan Avenue, Guanlan Town Bao'an District, Shenzhen City, Guangdong, China

## Specification for Approval

Customer: \_\_\_\_\_

Product: YJ-MK-F2B62X14-3W

Part No.: \_\_\_\_\_

Ref. No: \_\_\_\_\_

Date: 2010.7.16

### Made by Shenzhen Aglare Lighting Co. Ltd

Production Dept	Q.C. Dept	Engineering Dept	Marketing Dept
Wen Liu	Fang Yang	Jiang Yang	Fang Wang

### Approved by

Engineering Dept	Production Dept	Q.C. Dept	Manager



# SHENZHEN AGLARE LIGHTING CO., LTD.

Tel: +86-755-88868631

FAX: +86-755-88863251

E-mail: [Aglare@aglare.cn](mailto:Aglare@aglare.cn)

Website: <http://www.aglare.cn>

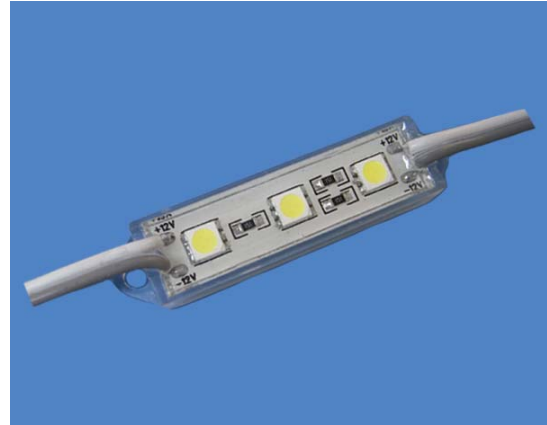
Add: Factory A, Supply and Marketing Cooperative Park Guanlan Avenue, Guanlan Town Bao'an District, Shenzhen City, Guangdong, China

## YJ-MK-F2B62X14-3W

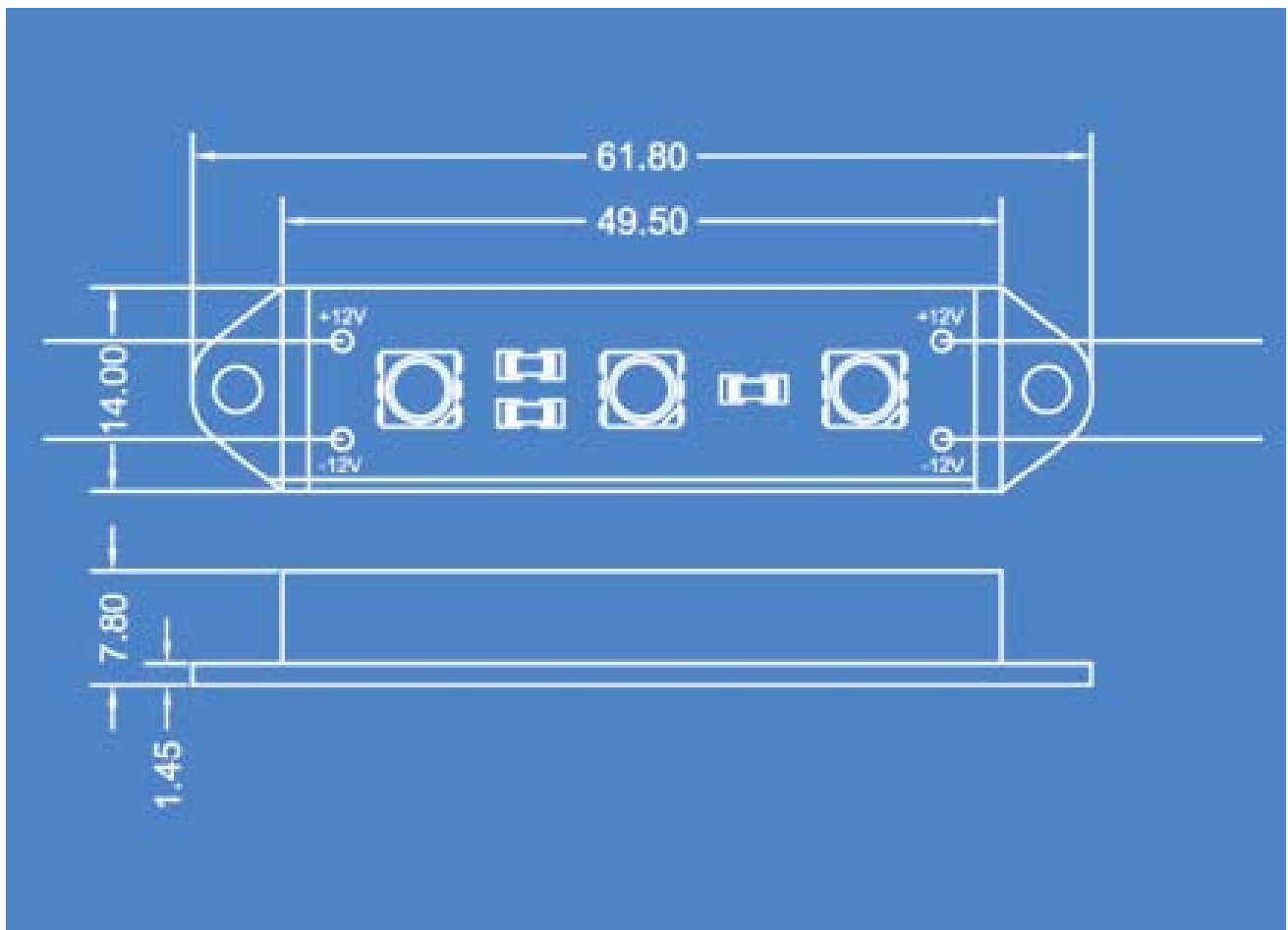
### Features:

1. Measures: 61.8x 14x7.8mm
2. Voltage: DC12V
3. Low power consumption: 0.54W
4. LED quantity: 3pieces
5. Water-resistant degree: IP68
6. Colors: red, yellow, green, white and blue
7. Big viewing angle: 120°
8. weight: 7.2g
9. LED type: SMD 5050

### Picture:



### 3.Package Dimensions (mm):





# SHENZHEN AGLARE LIGHTING CO., LTD.

Tel: +86-755-88868631 FAX: +86-755-88863251 E-mail: [Aglare@aglare.cn](mailto:Aglare@aglare.cn) Website: <http://www.aglare.cn>  
 Add: Factory A, Supply and Marketing Cooperative Park Guanlan Avenue, Guanlan Town Bao'an District, Shenzhen City, Guangdong, China

## 4. Absolute Maximum Rating at TA=25°C :

Part Number	Emitting Color	Input Voltage	Wattage	Waterproof Degree	LED Quantity	Luminous Intensity(Lm)		Net Weight
						MIN	MAX	
YJ-MK-F2B62X14-3R	Red	DC12V	0.54W	IP68	3PCS	24	36	7.2g
YJ-MK-F2B62X14-3G	Green		0.54W	IP68		36	42	7.2g
YJ-MK-F2B62X14-3B	Blue		0.54W	IP68		6	12	7.2g
YJ-MK-F2B62X14-3Y	Yellow		0.54W	IP68		24	36	7.2g
YJ-MK-F2B62X14-3W	Pure White		0.54W	IP68		42	54	7.2g
YJ-MK-F2B62X14-3WW	Warm White		0.54W	IP68		36	45	7.2g

## 5. Characteristic:

### Electro-Optical characteristics (White Ta=25°C)

Parameter	Test Condition	Symbol	Value			Unit
			Min	Typ	Max	
Color temperature	If=15mA		5000		6500	K
Power consumption	If=15mA		0.5	0.54	0.6	W
Lumen Value	If=15mA		42		54	Lm
Viewing angle at 50% IV	If=7.5mA			120		Deg
Useful life	If=15mA		30000		50000	H

## 6. Lumen Decrease

Operating time ( hours )	Lumen decrease [ % ]
1000	8
5000	15
10000	22



# SHENZHEN AGLARE LIGHTING CO., LTD.

Tel: +86-755-88868631

FAX: +86-755-88863251

E-mail: [Aglare@aglare.cn](mailto:Aglare@aglare.cn)

Website: <http://www.aglare.cn>

Add: Factory A, Supply and Marketing Cooperative Park Guanlan Avenue, Guanlan Town Bao'an District, Shenzhen City, Guangdong, China

## 7. Caution:

6.1 Applicable Voltage: DC12V.

6.2 Operating temperature:  $-30^{\circ}\text{C} \sim +50^{\circ}\text{C}$ .

6.3 The power voltage is permitted in  $+10\% \sim -10\%$  fluctuating. If it's beyond the said scope, it would influence lifespan, even unlighted or burnt out.

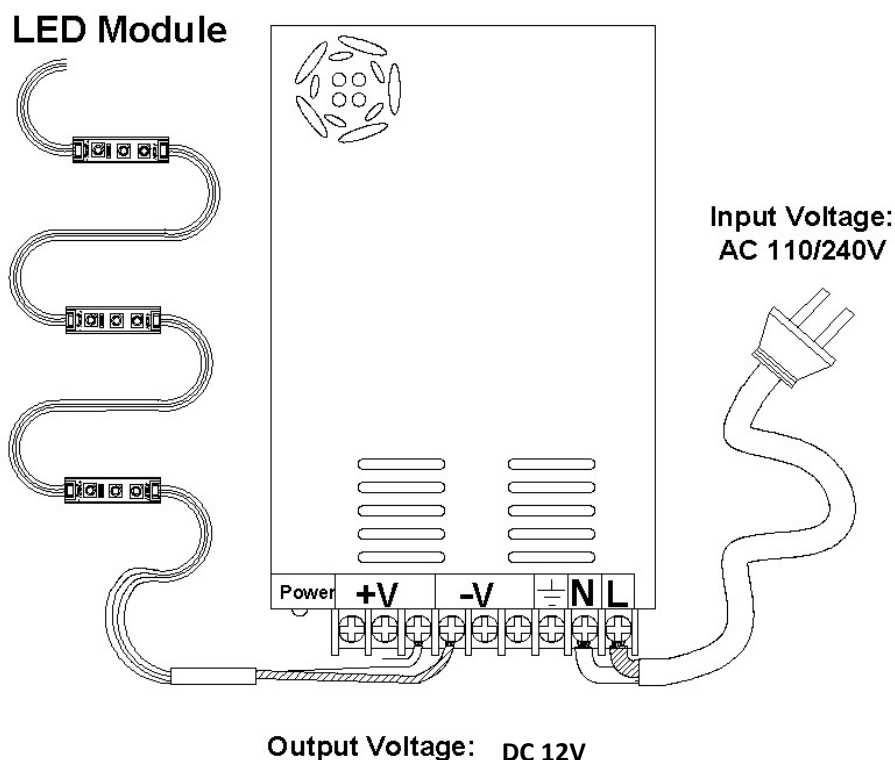
6.4 Make sure connecting wire is connected and sealed well to avoid defending Electricity Leakage.

6.5 Make sure waterproof protection, and no defending Water leakage before connecting to extra power supply.

6.6 Before maintenance, make sure the power cut off. After assembling right, it can be connected power to use.

6.7 No breaking to any stipulation of fireproofing. Please ask Professional to install.

## 8. Installation



## 9. After-sales service:

All products are guaranteed to use in one year. Under the right and normal using condition, quality warranty is based on correct conservation, assemblage, and maintenance. As incorrect usage, and disobeying product operation, it's not guaranteed. To the problem within promised time, "Aglare" will solve it by repair, substitute accessories or replacement for your option. Upon exceeding the promised time, there will be material and maintenance fees to be paid by customers.

TEL: +86-755-88868631

FAX: +86-755-88863251

E-mail: [service@aglare.cn](mailto:service@aglare.cn)