



# SHENZHEN AGLARE LIGHTING CO., LTD.

Tel: +86-755-88868631 FAX: +86-755-88863251 E-mail: [Aglare@aglare.cn](mailto:Aglare@aglare.cn) Website: <http://www.aglare.cn>  
Add: Factory A, Supply and Marketing Industrial Cooperative Park Guanlan Avenue, Guanlan Town Bao'an District, Shenzhen city, Guangdong province, China 518110

## Specification for Approval

Customer: \_\_\_\_\_

Product: YJ-MKF-2B46X15BK-3RGB

Part No.: \_\_\_\_\_

Ref. No: \_\_\_\_\_

Date: 2010.7.16

Made by Shenzhen Aglare Lighting Co. Ltd

Production Dept	Q.C. Dept	Engineering Dept	Marketing Dept
Wen Liu	Fang Yang	Jiang Yang	Fang Wang

Approved by

Engineering Dept	Production Dept	Q.C. Dept	Manager



# SHENZHEN AGLARE LIGHTING CO., LTD.

Tel: +86-755-88868631 FAX: +86-755-88863251 E-mail: [Aglare@aglare.cn](mailto:Aglare@aglare.cn) Website: <http://www.aglare.cn>  
Add: Factory A, Supply and Marketing Industrial Cooperative Park Guanlan Avenue, GuanlanTown Bao'an District, Shenzhen city, Guangdong province, China 518110

## YJ-MKF-2B46X15BK-3RGB

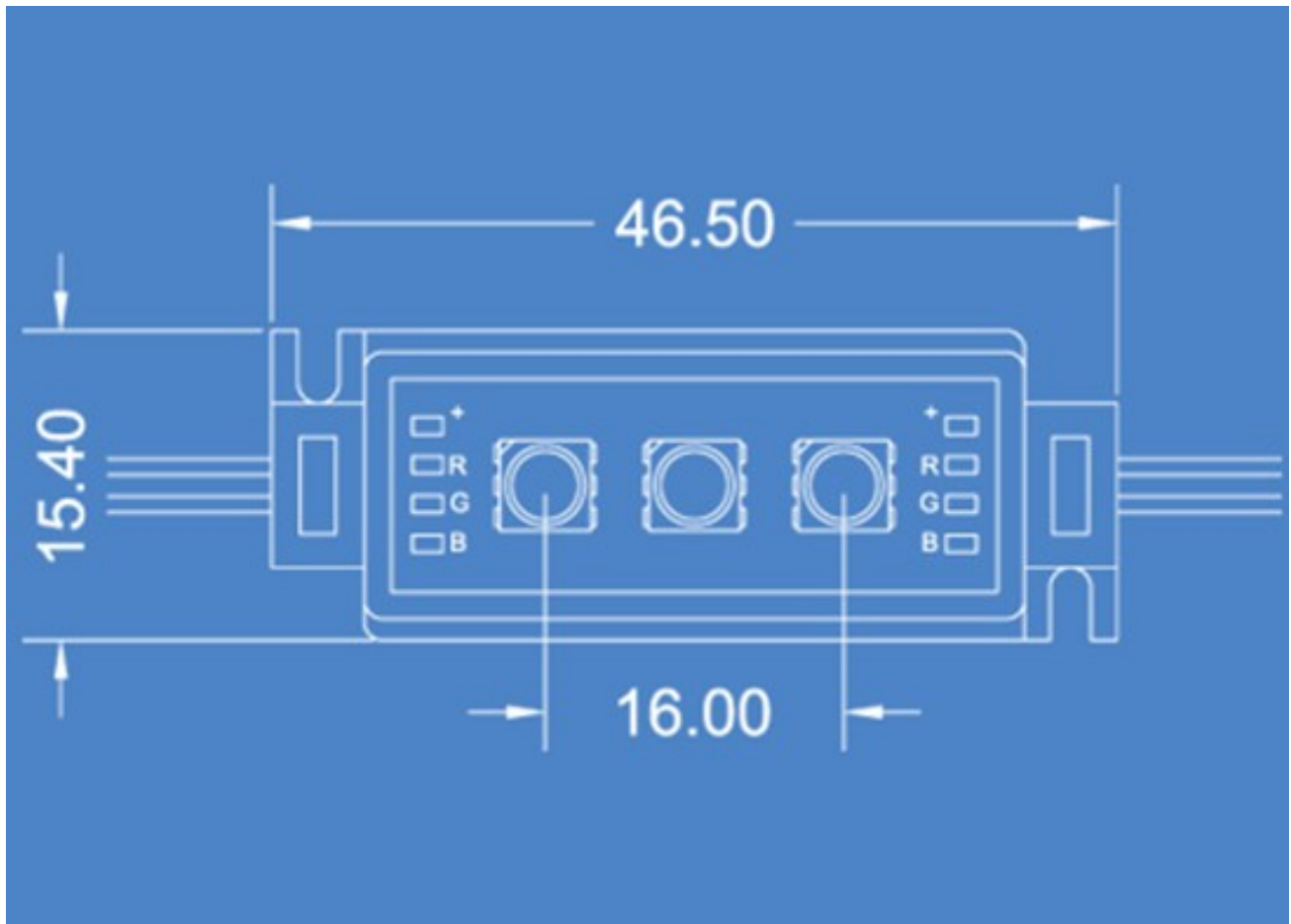
### Features:

1. LED quantity: 3 pieces
2. Length and LED quantity can be changed
3. Input voltage: 12V DC
4. Power consumption: 0.64W
5. Long lifespan
6. Low heat and high brightness
7. Large viewing angle: 120°
8. Shapes: round, rectangle, and square
9. Emitting color: full color of RGB
10. Two kinds of connection: welding and faucet
11. Customized specifications are welcome

### Picture:



### 3.Package Dimensions (mm):





# SHENZHEN AGLARE LIGHTING CO., LTD.

Tel: +86-755-88868631 FAX: +86-755-88863251 E-mail: [Aglare@aglare.cn](mailto:Aglare@aglare.cn) Website: <http://www.aglare.cn>  
 Add: Factory A, Supply and Marketing Industrial Cooperative Park Guanlan Avenue, Guanlan Town Bao'an District, Shenzhen city, Guangdong province, China 518110

## 4. Absolute Maximum Rating at TA=25°C:

Part Number	Emitting Color	Input Voltage	Wattage	Waterproof Degree	LED Quantity	Luminous Intensity(Lm)		Net Weight
						MIN	MAX	
YJ-MKF-2B4 6X15BK-3R GB	<b>R G B</b>	DC12V	0.64W	IP68	3pcs	6	15	7.0g

## 5. Characteristic:

### Electro-Optical characteristics ( Red Green Blue ) (Ta=25°C)

Parameter	Test Condition	Symbol	Value			Unit
			Min	Typ	Max	
Wavelengths(R)	If=17mA		620		635	nm
Wavelengths(G)	If=17mA		515		530	nm
Wavelengths(B)	If=17mA		460		475	nm
Forward voltage(R)	If=17mA	VF	1.8		2.4	V
Forward voltage(G)	If=17mA	VF	3.0		3.6	V
Forward voltage(B)	If=17mA	VF	3.0		3.6	V
Power consumption	If=17mA	P	0.6	0.64	0.7	W
Viewing angle at 50% IV	If=8.5mA			120		Deg
Useful life	IF=17mA		30000		50000	H

## 6. Lumen Decrease

Operating time ( hours )	Lumen decrease [ % ]
1000	8
5000	15
10000	22



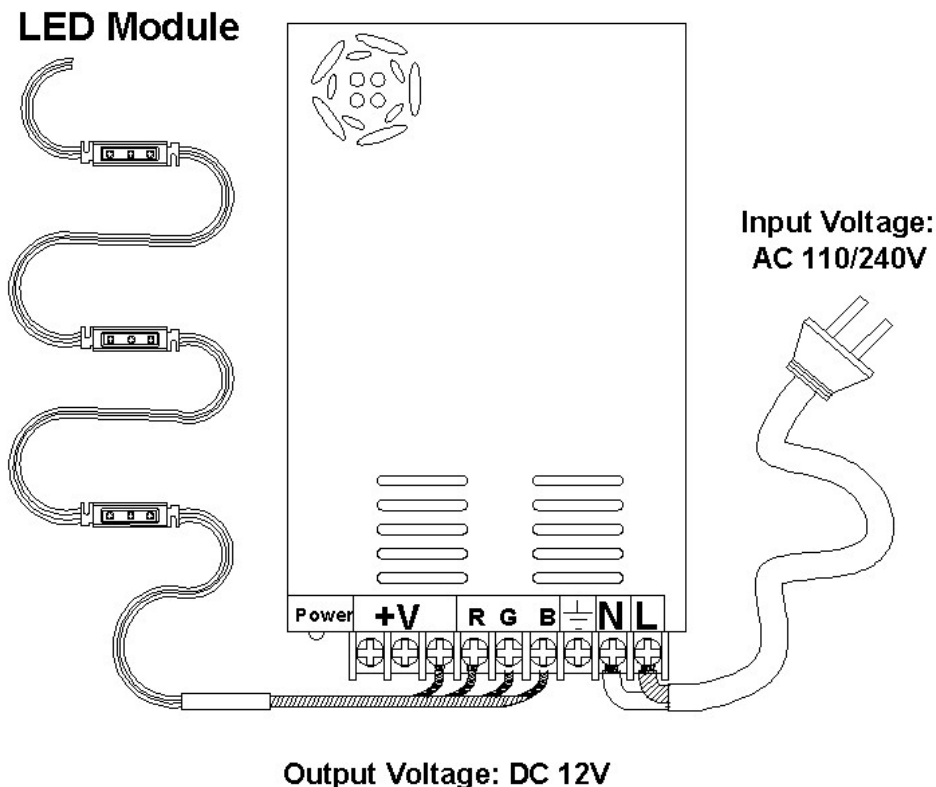
# SHENZHEN AGLARE LIGHTING CO., LTD.

Tel: +86-755-88868631 FAX: +86-755-88863251 E-mail: [Aglare@aglare.cn](mailto:Aglare@aglare.cn) Website: <http://www.aglare.cn>  
Add: Factory A, Supply and Marketing Industrial Cooperative Park Guanlan Avenue, GuanlanTown Bao'an District, Shenzhen city, Guangdong province, China 518110

## 7. Caution:

- 6.1 Applicable Voltage: DC12V.
- 6.2 Operating temperature:  $-30^{\circ}\text{C} \sim +50^{\circ}\text{C}$ .
- 6.3 The power voltage is permitted in  $+10\% \sim -10\%$  fluctuating. If it's beyond the said scope, it would influence lifespan, even unlighted or burnt out.
- 6.4 Make sure connecting wire is connected and sealed well to avoid defending Electricity Leakage.
- 6.5 Make sure waterproof protection, and no defending Water leakage before connecting to extra power supply.
- 6.6 Before maintenance, make sure the power cut off. After assembling right, it can be connected power to use.
- 6.7 No breaking to any stipulation of fireproofing. Please ask Professional to install.

## 8. Installation



## 9. After-sales service:

All products are guaranteed to use in one year. Under the right and normal using condition, quality warranty is based on correct conservation, assemblage, and maintenance. As incorrect usage, and disobeying product operation, it's not guaranteed. To the problem within promised time, "Aglare" will solve it by repair, substitute accessories or replacement for your option. Upon exceeding the promised time, there will be material and maintenance fees to be paid by customers.

TEL: +86-755-88868631 FAX: +86-755-88863251 E-mail: [service@aglare.cn](mailto:service@aglare.cn)