



SHENZHEN AGLARE LIGHTING CO., LTD.

Tel: +86-755-88868631

FAX: +86-755-88863251

E-mail: Aglare@aglare.cn

Website: <http://www.aglare.cn>

Add: Factory A, Supply and Marketing Cooperative Park Guanlan Avenue, Guanlan Town Bao'an District, Shenzhen City, Guangdong, China

Specification for Approval

Customer: _____

Product: YJ-D11MR16-3X1R

Part No.: _____

Ref. No: _____

Date: _____

Made by Shenzhen Aglare Lighting Co. Ltd

Production Dept	Q.C. Dept	Engineering Dept	Marketing Dept
Wen Liu	Fang Yang	Jiang Yang	Fang Wang

Approved by

Engineering Dept	Production Dept	Q.C. Dept	Manager



SHENZHEN AGLARE LIGHTING CO., LTD.

Tel: +86-755-88868631

FAX: +86-755-88863251

E-mail: Aglare@aglare.cn

Website: <http://www.aglare.cn>

Add: Factory A, Supply and Marketing Cooperative Park Guanlan Avenue, Guanlan Town Bao'an District, Shenzhen City, Guangdong, China

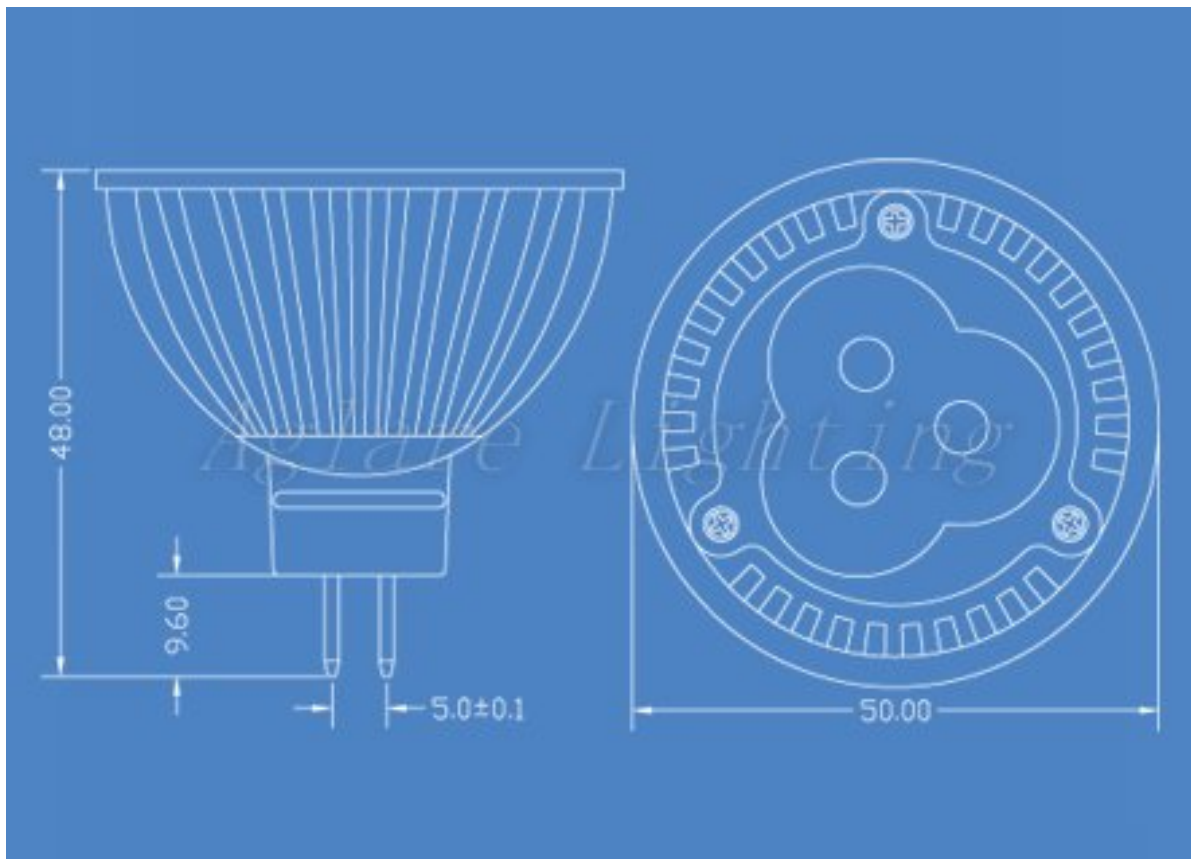
1.Features:

1. Base: MR16
2. Light source: 3 pieces high-power LED
3. Input voltage: 12V
4. Power dissipation: 3 x 1W
5. Beam angle: $30\pm 5^\circ$
6. Luminous intensity:
 - a) Red: 165-190LM
 - b) Green: 165-190LM
 - c) Blue: 42-54LM
 - d) Yellow: 160-180LM
 - e) White: 210-300LM
 - f) Warm White: 200-270LM
7. Available in various colors
8. Aluminum body material and gear appearance are for efficient thermal radiation
9. Netlike lens cover used for diverging light
10. Dust-resistant
11. Dimensions: (D) 50 x (H) 46.60mm
12. Net weight: 37g

Picture:



3.Package Dimensions (mm):





SHENZHEN AGLARE LIGHTING CO., LTD.

Tel: +86-755-88868631

FAX: +86-755-88863251

E-mail: Aglare@aglare.cn

Website: <http://www.aglare.cn>

Add: Factory A, Supply and Marketing Cooperative Park Guanlan Avenue, Guanlan Town Bao'an District, Shenzhen City, Guangdong, China

4. Absolute Maximum Rating at TA=25°C:

Part Number	Emitting Color	Input Voltage	Wattage	Waterpro of Degree	LED Quantity	Luminous Intensity(Lm)		Net Weight
						MIN	MAX	
YJ-D11MR16-3X1R	Red	AC/DC12V	3x1W	/	3pcs	165	190	37g
YJ-D11MR16-3X1G	Green			/	3pcs	165	190	37g
YJ-D11MR16-3X1B	Blue			/	3pcs	42	54	37g
YJ-D11MR16-3X1Y	Yellow			/	3pcs	160	180	37g
YJ-D11MR16-3X1W	Pure White			/	3pcs	210	300	37g
YJ-D11MR16-3X1WW	Warm White			/	3pcs	200	270	37g

5 Characteristic:

Electro-Optical characteristics (Red)

(Ta=25°C)

Parameter	Test Condition	Symbol	Value			Unit
			Min	Typ	Max	
Wavelength	If=350mA		620		635	nm
Luminous intensity	If=350mA		165		190	LM
Forward voltage	If=350mA		3.2		3.8	V
Viewing angle at 50% IV	If=180mA		25	30	35	Deg
Useful life	If=350mA		30000		50000	H

6. Lumen Decrease

Operating time (hours)	Lumen decrease [%]
1000	8
5000	15
10000	20



SHENZHEN AGLARE LIGHTING CO., LTD.

Tel: +86-755-88868631

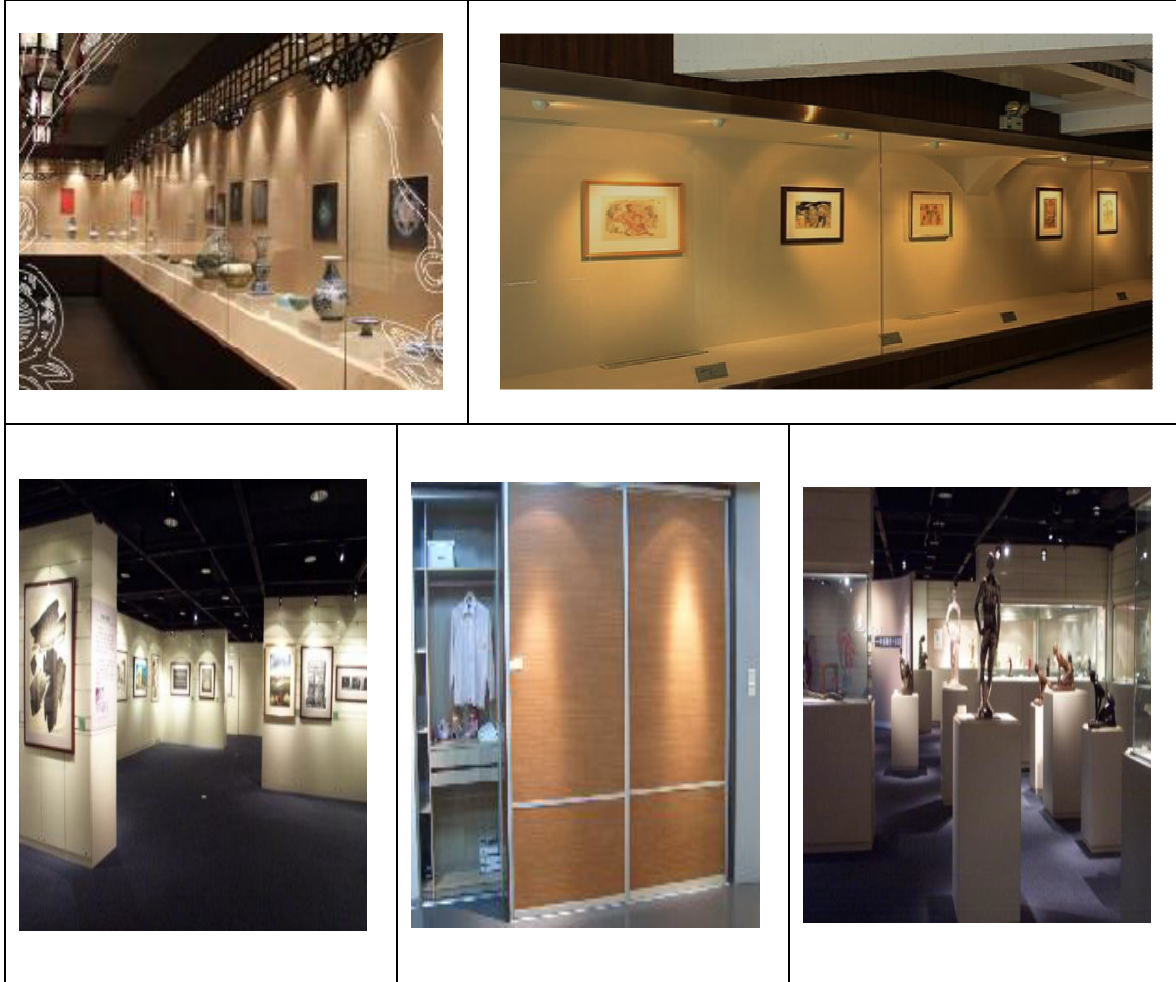
FAX: +86-755-88863251

E-mail: Aglare@aglare.cn

Website: <http://www.aglare.cn>

Add: Factory A, Supply and Marketing Cooperative Park Guanlan Avenue, Guanlan Town Bao'an District, Shenzhen City, Guangdong, China

7. Application Case:



8. Caution:

1. Applicable Voltage: AC/DC12V
2. Operating temperature: $-30^{\circ}\text{C} \sim +50^{\circ}\text{C}$.
3. The power voltage is permitted in $+10\% \sim -10\%$ fluctuating. If it's beyond the said scope, it would influence lifespan, even unlighted or burnt out.
4. Make sure connecting wire is connected and sealed well to avoid defending Electricity Leakage.
5. Make sure waterproof protection, and no defending Water leakage before connecting to extra power supply.
6. Before maintenance, make sure the power cut off. After assembling right, it can be connected power to use.
7. No breaking to any stipulation of fireproofing. Please ask Professional to install.



SHENZHEN AGLARE LIGHTING CO., LTD.

Tel: +86-755-88868631

FAX: +86-755-88863251

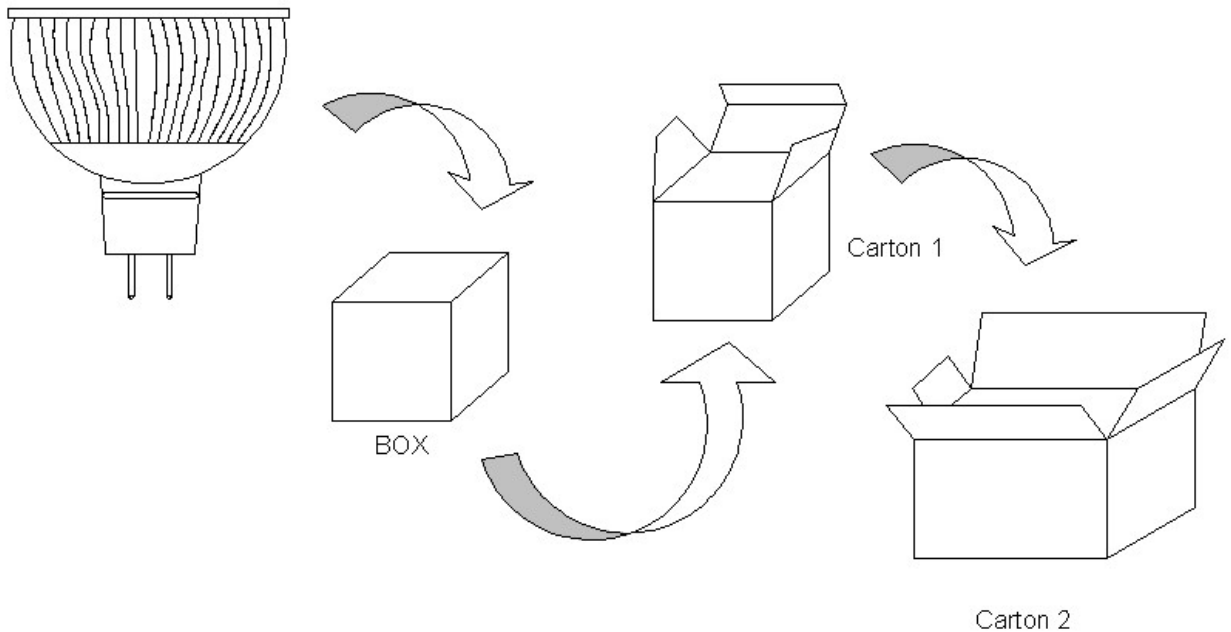
E-mail: Aglare@aglare.cn

Website: <http://www.aglare.cn>

Add: Factory A, Supply and Marketing Cooperative Park Guanlan Avenue, Guanlan Town Bao'an District, Shenzhen City, Guangdong, China

9. Package Information:

Net (g)	Gross (kg)	Box Size (cm)	CTN1 Size (cm)	Q'ty/CTN1 (pcs)	CTN2 Size (cm)	Q'ty/CTN2 (pcs)
37	9.5	5*5*6.8	28.5*28.5*15	50	61*30*35	200



10. After-sales service:

All products are guaranteed to use in one year. Under the right and normal using condition, quality warranty is based on correct conservation, assemblage, and maintenance. As incorrect usage, and disobeying product operation, it's not guaranteed. To the problem within promised time, "Aglare" will solve it by repair, substitute accessories or replacement for your option. Upon exceeding the promised time, there will be material and maintenance fees to be paid by customers.