



# SHENZHEN AGLARE LIGHTING CO., LTD.

Tel: +86-755-88868631

FAX: +86-755-88863251

E-mail: [Aglare@aglare.cn](mailto:Aglare@aglare.cn)

Website: <http://www.aglare.cn>

Add: Factory A, Supply and Marketing Cooperative Park Guanlan Avenue, Guanlan Town Bao'an District, Shenzhen City, Guangdong, China

## Specification for Approval

Customer: \_\_\_\_\_

Product: YJ-E2740-5X1W

Part No.: \_\_\_\_\_

Ref. No: \_\_\_\_\_

Date: \_\_\_\_\_

### Made by Shenzhen Aglare Lighting Co. Ltd

Production Dept	Q.C. Dept	Engineering Dept	Marketing Dept
Wen Liu	Fang Yang	Jiang Yang	Fang Wang

### Approved by

Engineering Dept	Production Dept	Q.C. Dept	Manager



# SHENZHEN AGLARE LIGHTING CO., LTD.

Tel: +86-755-88868631

FAX: +86-755-88863251

E-mail: [Aglare@aglare.cn](mailto:Aglare@aglare.cn)

Website: <http://www.aglare.cn>

Add: Factory A, Supply and Marketing Cooperative Park Guanlan Avenue, Guanlan Town Bao'an District, Shenzhen City, Guangdong, China

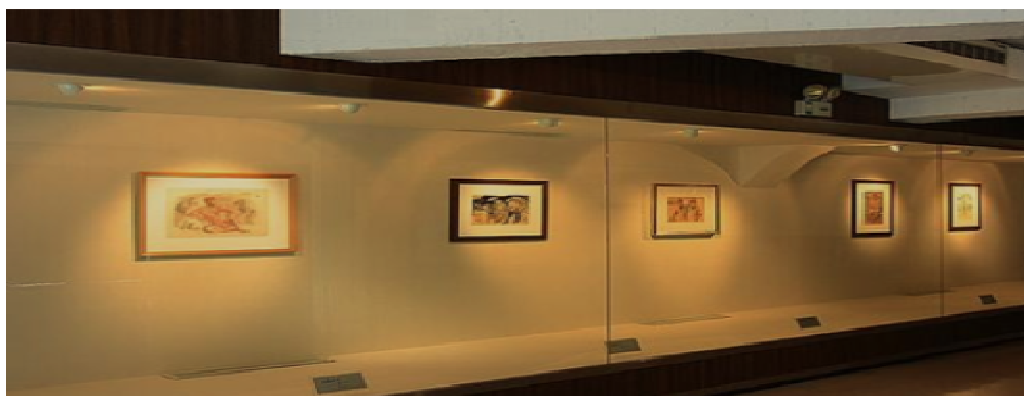
## 1.Features:

1. Input voltage: AC85-265V
2. Current: 320mA
3. Consume wattage: 5W
4. Base: E27
5. LEDs: 5 pieces high power LEDs
6. Illumination: 350-500LM
7. Emitting colors: red, green, blue, yellow, white, warm white, cool white
8. Lumen: R(275-325LM), G(275-325LM), B(70-90LM), Y(275-300LM), W(350-500M), WW(325-450LM)
9. Net weight: 147g
10. Maximum size: 40\*40\*146mm
11. Longevity: >30,000h

## Picture:



## 2.Application Case:



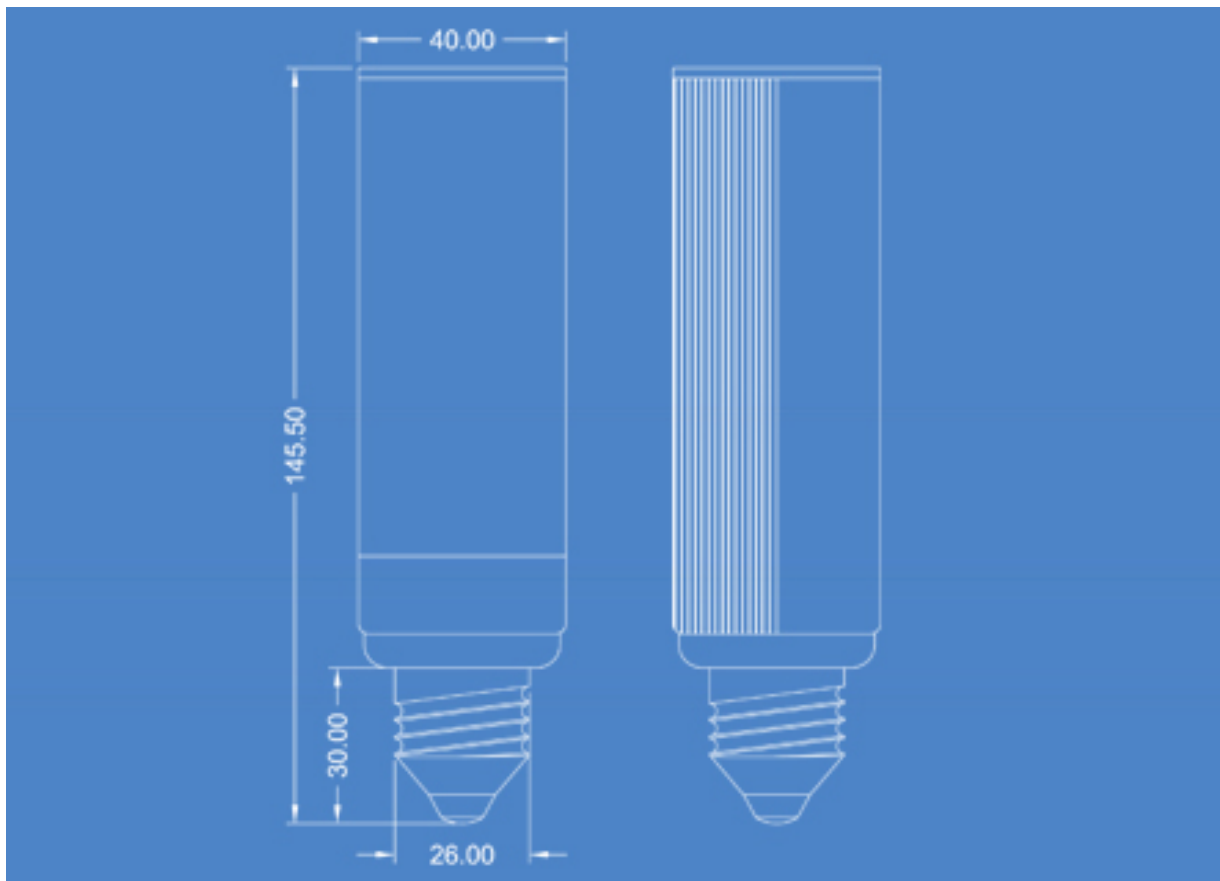


# SHENZHEN AGLARE LIGHTING CO., LTD.

Tel: +86-755-88868631 FAX: +86-755-88863251 E-mail: [Aglare@aglare.cn](mailto:Aglare@aglare.cn) Website: <http://www.aglare.cn>  
Add: Factory A, Supply and Marketing Cooperative Park Guanlan Avenue, Guanlan Town Bao'an District, Shenzhen City, Guangdong, China



### 3.Package Dimensions (mm):



- 1). All dimensions are in millimeters
- 2). Tolerance is 0.5 mm unless otherwise noted



# SHENZHEN AGLARE LIGHTING CO., LTD.

Tel: +86-755-88868631

FAX: +86-755-88863251

E-mail: [Aglare@aglare.cn](mailto:Aglare@aglare.cn)

Website: <http://www.aglare.cn>

Add: Factory A, Supply and Marketing Cooperative Park Guanlan Avenue, Guanlan Town Bao'an District, Shenzhen City, Guangdong, China

## 4. Absolute Maximum Rating at TA=25°C:

Part Number	Emitting Color	Input Voltage	Wattage	Waterpro of Degree	LED Quantity	Luminous Intensity(Lm)		Net Weight (g)
						MIN	MAX	
YJ-E2740-5X1R	Red	AC 85-265V	5W	/	5pcs	275	325	147
YJ-E2740-5X1G	Green					275	325	
YJ-E2740-5X1B	Blue					70	90	
YJ-E2740-5X1Y	Yellow					275	300	
YJ-E2740-5X1W	Pure White					350	500	
YJ-E2740-5X1WW	Warm White					325	450	

## 5. Characteristic:

Electro-Optical characteristics ( White )						( Ta=25°C )	
Parameter	Test Condition	Symbol	Value			Unit	
			Min	Typ	Max		
Color temperature	If=320mA		5000		6500	K	
Power consumption	If=320mA	P	4	5	6	W	
Luminous intensity	If=320mA	Iv	350		500	LM	
Viewing angle at 50% IV	If=160mA		130		150	Deg	
Useful life	If=320mA		30000		50000	H	

## 6. Lumen Decrease

Operating time ( hours )	Lumen decrease [ % ]
1000	8
5000	15
10000	20



# SHENZHEN AGLARE LIGHTING CO., LTD.

Tel: +86-755-88868631

FAX: +86-755-88863251

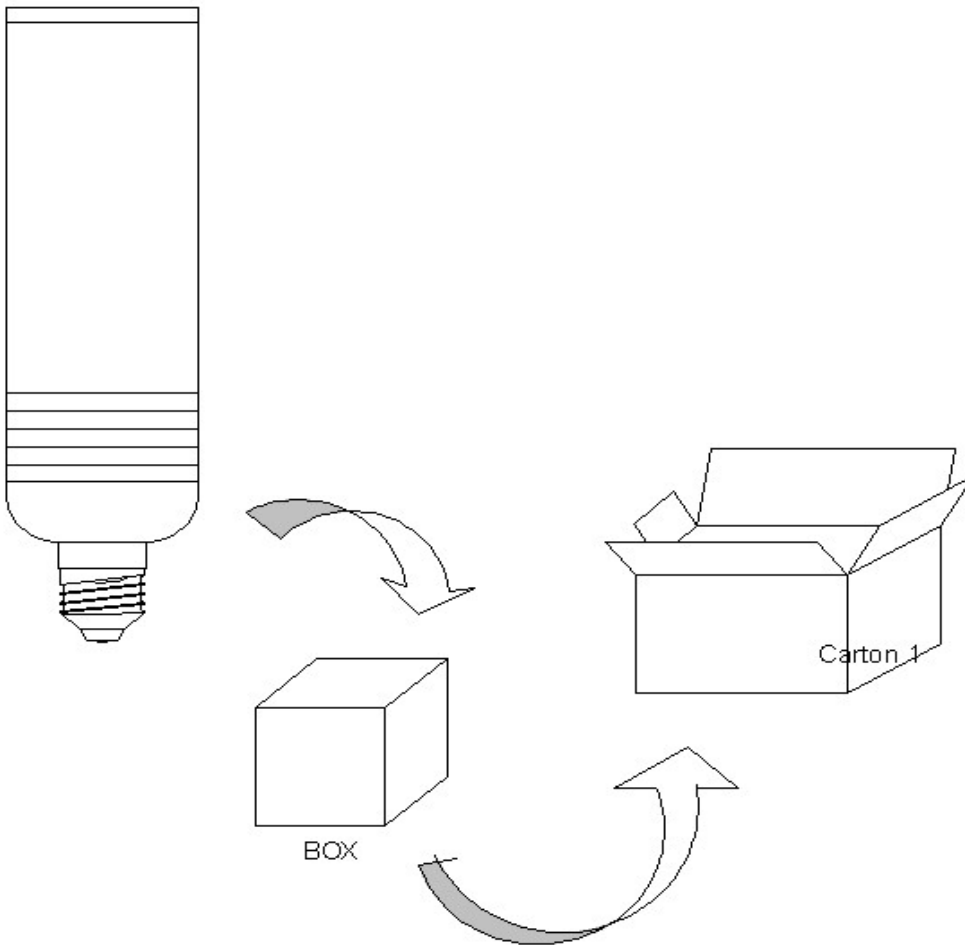
E-mail: [Aglare@aglare.cn](mailto:Aglare@aglare.cn)

Website: <http://www.aglare.cn>

Add: Factory A, Supply and Marketing Cooperative Park Guanlan Avenue, Guanlan Town Bao'an District, Shenzhen City, Guangdong, China

## 7. Package Information:

Net (g)	Gross (kg)	Box Size (cm)	Q'ty/BOX (PCS)	CTN1 Size (cm)	Q'ty/CTN1 (PCS)
147	9	5*5*17	1	43*32*19	48



## 8. After-sales service:

All products are guaranteed to use in one year. Under the right and normal using condition, quality warranty is based on correct conservation, assemblage, and maintenance. As incorrect usage, and disobeying product operation, it's not guaranteed. To the problem within promised time, "Aglare" will solve it by repair, substitute accessories or replacement for your option. Upon exceeding the promised time, there will be material and maintenance fees to be paid by cu

TEL: +86-755-88868631 FAX: +86-755-88863251 E-mail: [service@aglare.cn](mailto:service@aglare.cn)