



SHENZHEN AGLARE LIGHTING CO., LTD.

Tel: +86-755-88868631

FAX: +86-755-88863251

E-mail: Aglare@aglare.cn

Website: <http://www.aglare.cn>

Add: Factory A, Supply and Marketing Cooperative Park Guanlan Avenue, Guanlan Town Bao'an District, Shenzhen City, Guangdong, China

Specification for Approval

Customer: _____

Product: YJ-DL90R5X1W

Part No.: _____

Ref. No: _____

Date: 2010-07-01

Made by Shenzhen Aglare Lighting Co. Ltd

Production Dept	Q.C. Dept	Engineering Dept	Marketing Dept
Wen Liu	Fang Yang	Jiang Yang	Fang Wang

Approved by

Engineering Dept	Production Dept	Q.C. Dept	Manager



SHENZHEN AGLARE LIGHTING CO., LTD.

Tel: +86-755-88868631

FAX: +86-755-88863251

E-mail: Aglare@aglare.cn

Website: <http://www.aglare.cn>

Add: Factory A, Supply and Marketing Cooperative Park Guanlan Avenue, Guanlan Town Bao'an District, Shenzhen City, Guangdong, China

1.Features:

YJ-DL90R5X1W LED ceiling light with 280-400lm luminance for warm white and 30,000 hours long lifespan; it's widely used in the super market, hotel, night club, etc.

1. Aluminum material LED ceiling light
2. LED quantity: 5 pieces
- 3.. Power Dissipation: 5W
4. Working voltage: AC 90-260V
5. Current: 350mA
6. Constant current and voltage driver for low voltage
7. Dimension: (L)91mm x (W)91mm x (H)58mm
8. Weight: 160g Viewing angle: 72degree

Picture:



2.Application Case:



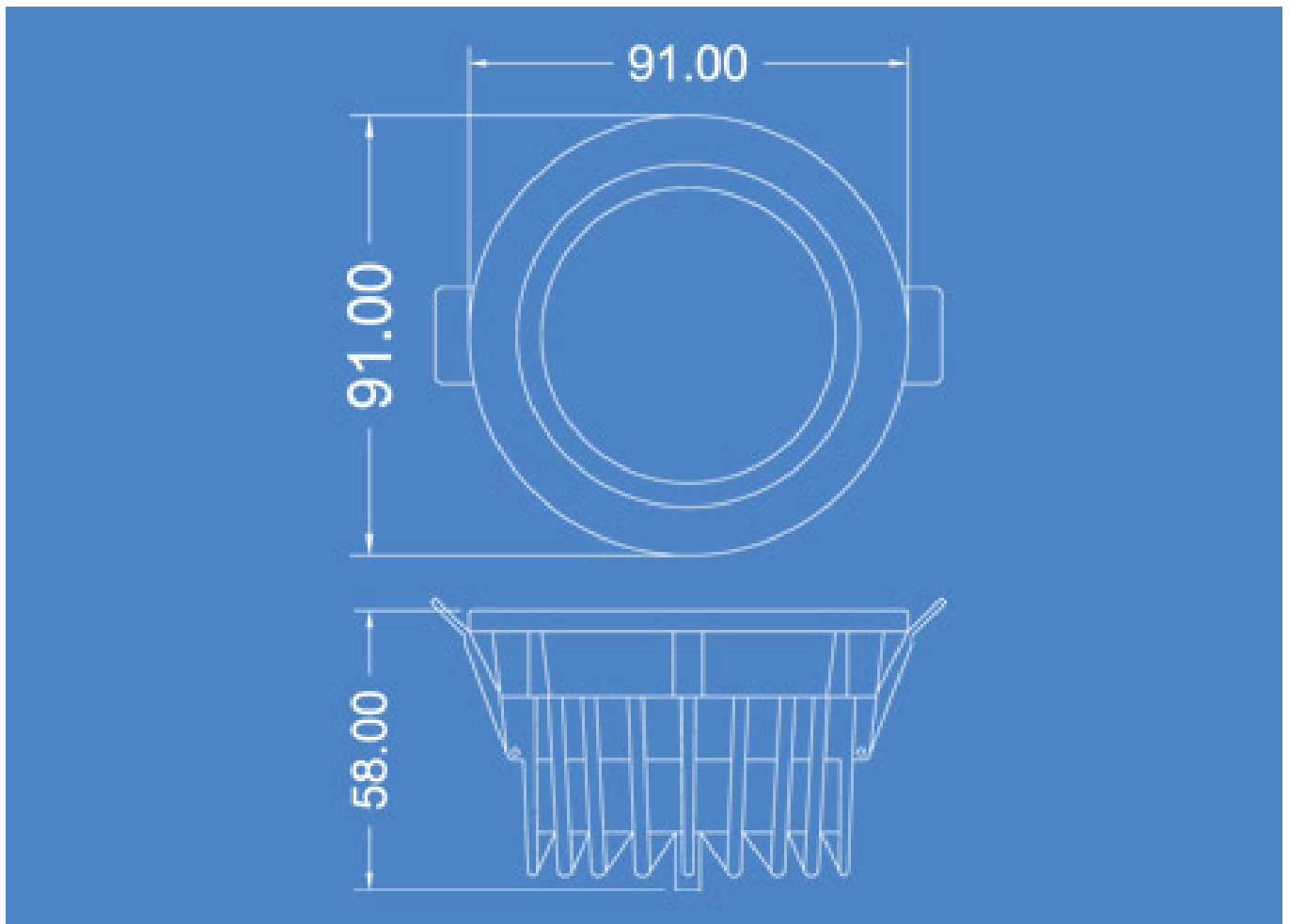


SHENZHEN AGLARE LIGHTING CO., LTD.

Tel: +86-755-88868631 FAX: +86-755-88863251 E-mail: Aglare@aglare.cn Website: <http://www.aglare.cn>
Add: Factory A, Supply and Marketing Cooperative Park Guanlan Avenue, Guanlan Town Bao'an District, Shenzhen City, Guangdong, China



3.Package Dimensions (mm):





SHENZHEN AGLARE LIGHTING CO., LTD.

Tel: +86-755-88868631

FAX: +86-755-88863251

E-mail: Aglare@aglare.cn

Website: <http://www.aglare.cn>

Add: Factory A, Supply and Marketing Cooperative Park Guanlan Avenue, Guanlan Town Bao'an District, Shenzhen City, Guangdong, China

4. Absolute Maximum Rating at TA=25°C:

Part Number	Emitting Color	Input Voltage	Wattage	Waterproof Degree	LED Quantity	Luminous Intensity(Lm)		Net Weight (g)
						MIN	MAX	
YJ-DL90R5X1R	Red	AC 90-260V	5W	/	5pcs	220	260	160g
YJ- DL90R5X1G	Green		5W	/	5pcs	220	260	160g
YJ- DL90R5X1B	Blue		5W	/	5pcs	56	72	160g
YJ- DL90R5X1Y	Yellow		5W	/	5pcs	200	240	160g
YJ- DL90R5X1W	Pure White		5W	/	5pcs	280	400	160g
YJ- DL90R5X1WW	Warm White		5W	/	5pcs	256	360	160g

5. Characteristic:

Electro-Optical characteristics (Warm White) (Ta=25°C)						
Parameter	Test Condition	Symbol	Value			Unit
			Min	Typ	Max	
Color temperature	If=320mA		2000		4500	K
Forward voltage	If=320mA	VF	3.2		3.8	V
Power consumption	If=320mA	P	4.5	5	5.5	W
Luminous intensity	If=320mA	Iv	280		400	LM
Reverse current	VF=5V	IR	--	--	5	UA
Useful life	If =320mA		30000		50000	H

6. Lumen Decrease

Operating time (hours)	Lumen decrease [%]
1000	8
5000	15
10000	20



SHENZHEN AGLARE LIGHTING CO., LTD.

Tel: +86-755-88868631

FAX: +86-755-88863251

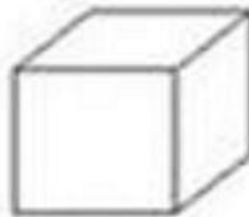
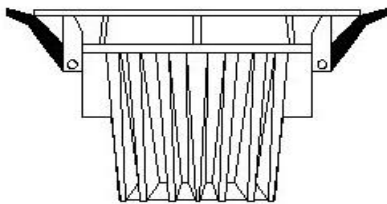
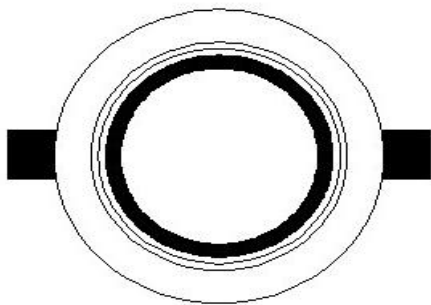
E-mail: Aglare@aglare.cn

Website: <http://www.aglare.cn>

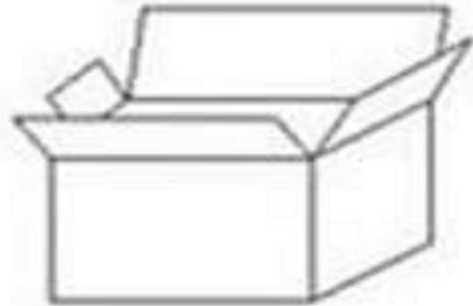
Add: Factory A, Supply and Marketing Cooperative Park Guanlan Avenue, Guanlan Town Bao'an District, Shenzhen City, Guangdong, China

7. Package Information:

Net (g)	Gross (kg)	Carton1 Size (CM)	Carton2 Size (CM)	Q'ty/Carton 1
160	11.2	11.0*11.0*6.2	44.5*44.5*25.2	64



BOX



Carton 2

9. After-sales service

All products are guaranteed to use in one year. Under the right and normal using condition, quality warranty is based on correct conservation, assemblage, and maintenance. As incorrect usage, and disobeying product operation, it's not guaranteed. To the problem within promised time, "Aglare" will solve it by repair, substitute accessories or replacement for your option. Upon exceeding the promised time, there will be material and maintenance fees to be paid by c

TEL: +86-755-88868631 FAX: +86-755-88863251 E-mail: service@aglare.cn