



SHENZHEN AGLARE LIGHTING CO., LTD.

Tel: +86-755-88868631 FAX: +86-755-88863251 E-mail: Aglare@aglare.cn Website: <http://www.aglare.cn>
Add: Factory A, Supply and Marketing Cooperative Park Guanlan Avenue, Guanlan Town Bao'an District, Shenzhen City, Guangdong, China

Specification for Approval

Customer: _____

Product: YJ-D13PAR20N-5X1R

Part No.: _____

Ref. No: _____

Date: 2010-06-14

Made by Shenzhen Aglare Lighting Co. Ltd

Production Dept	Q.C. Dept	Engineering Dept	Marketing Dept
Wen Liu	Fang Yang	Jiang Yang	Fang Wang

Approved by

Engineering Dept	Production Dept	Q.C. Dept	Manager



SHENZHEN AGLARE LIGHTING CO., LTD.

Tel: +86-755-88868631

FAX: +86-755-88863251

E-mail: Aglare@aglare.cn

Website: <http://www.aglare.cn>

Add: Factory A, Supply and Marketing Cooperative Park Guanlan Avenue, Guanlan Town Bao'an District, Shenzhen City, Guangdong, China

1.Features:

1. LED quantity: 5 pieces
2. Type: high-power LED
3. Input voltage: 110 to 220V AC
4. Power dissipation: 5 x 1W
5. Beam angle: 30±5°
6. Luminous intensity:
 - a) Red: 200 to 230lm
 - b) Green: 320 to 450lm
 - c) Blue: 50 to 70lm
7. IP55 water and dust-resistant
8. Available in various colors
9. Aluminum profiles body material and gear appearance are for efficient thermal radiation
10. Netlike lens cover is used for diverging light
11. Dimensions: (D) 60.2 x (H) 92.8mm
12. Net weight: 132.3g
13. Replacement bulbs for general lighting, especially for museums, exhibition, recreation ground, art galleries and cosmetic counters

Picture:



2.Application Case:





SHENZHEN AGLARE LIGHTING CO., LTD.

Tel: +86-755-88868631

FAX: +86-755-88863251

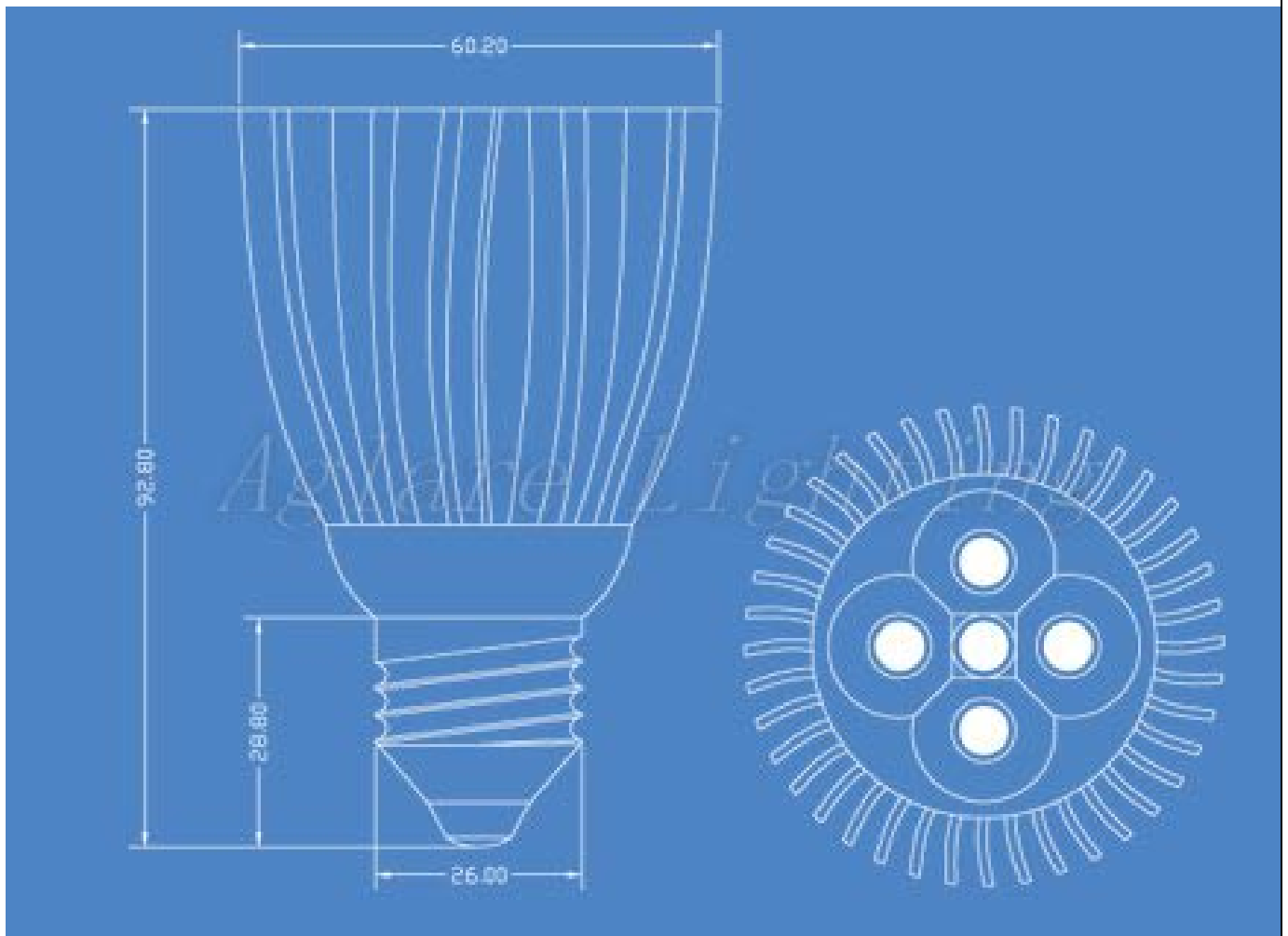
E-mail: Aglare@aglare.cn

Website: <http://www.aglare.cn>

Add: Factory A, Supply and Marketing Cooperative Park Guanlan Avenue, Guanlan Town Bao'an District, Shenzhen City, Guangdong, China



3.Package Dimensions (mm):





SHENZHEN AGLARE LIGHTING CO., LTD.

Tel: +86-755-88868631 FAX: +86-755-88863251 E-mail: Aglare@aglare.cn Website: <http://www.aglare.cn>
Add: Factory A, Supply and Marketing Cooperative Park Guanlan Avenue, Guanlan Town Bao'an District, Shenzhen City, Guangdong, China

4. Absolute Maximum Rating at TA=25°C:

Part Number	Emitting Color	Input Voltage	Wattage	Waterpro of Degree	LED Quantity	Luminous Intensity(Lm)		Net Weight (g)
						MIN	MAX	
YJ-D13PAR20N-5*1R	Red	AC110V-AC220V	5W	/	5pcs	180	260	132.3
YJ-D13PAR20N-5*1G	Green			/		280	400	
YJ-D13PAR20N-5*1B	Blue			/		45	60	
YJ-D13PAR20N-5*1Y	Yellow			/		180	260	
YJ-D13PAR20N-5*1W	Pure White			/		280	400	
YJ-D13PAR20N-5*1W W	Warm White			/		215	320	

5. Characteristic:

Electro-Optical characteristics (Red)						(Ta=25°C)	
Parameter	Test Condition	Symbol	Value			Unit	
			Min	Typ	Max		
Wavelength	If=350mA		620		635	nm	
Forward Voltage	If=350mA		3.2		3.8	V	
Viewing angle at 50% IV	If=150mA		30	35	40	Deg	
Useful life	If=350mA		30000		50000	H	

6. Lumen Decrease

Operating time (hours)	Lumen decrease [%]
1000	8
5000	15
10000	20

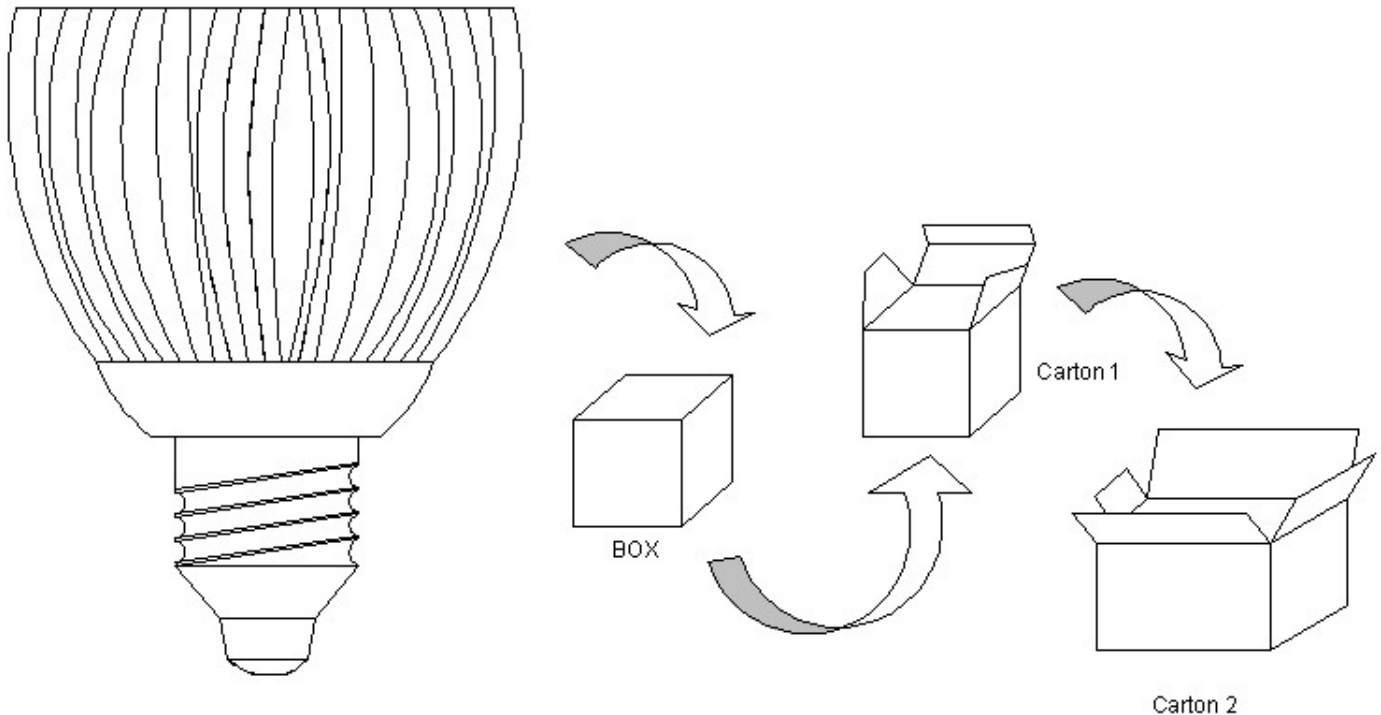


SHENZHEN AGLARE LIGHTING CO., LTD.

Tel: +86-755-88868631 FAX: +86-755-88863251 E-mail: Aglare@aglare.cn Website: <http://www.aglare.cn>
Add: Factory A, Supply and Marketing Cooperative Park Guanlan Avenue, Guanlan Town Bao'an District, Shenzhen City, Guangdong, China

7. Package Information:

Net (g)	Gross (kg)	Box Size (cm)	Q'ty/BOX (PCS)	CTN1 Size (cm)	Q'ty/CTN1 (PCS)
132.3	12.5	6.5*6.5*100	1	60*30*205	72



8. After-sales service:

All products are guaranteed to use in one year. Under the right and normal using condition, quality warranty is based on correct conservation, assemblage, and maintenance. As incorrect usage, and disobeying product operation, it's not guaranteed. To the problem within promised time, "Aglare" will solve it by repair, substitute accessories or replacement for your option. Upon exceeding the promised time, there will be material and maintenance fees to be paid by cu