



SHENZHEN AGLARE LIGHTING CO., LTD.

Tel: +86-755-88868631

FAX: +86-755-88863251

E-mail: Aglare@aglare.cn

Website: <http://www.aglare.cn>

Add: Factory A, Supply and Marketing Cooperative Park Guanlan Avenue, Guanlan Town Bao'an District, Shenzhen City, Guangdong, China

Specification for Approval

Customer: _____

Product: YJ-D36AR111GU10-7X1W

Part No.: _____

Ref. No: _____

Date: _____

Made by Shenzhen Aglare Lighting Co. Ltd

| Production Dept | Q.C. Dept | Engineering Dept | Marketing Dept |
|-----------------|-----------|------------------|----------------|
| Wen Liu | Fang Yang | Jiang Yang | Fang Wang |

Approved by

| Engineering Dept | Production Dept | Q.C. Dept | Manager |
|------------------|-----------------|-----------|---------|
| | | | |



SHENZHEN AGLARE LIGHTING CO., LTD.

Tel: +86-755-88868631

FAX: +86-755-88863251

E-mail: Aglare@aglare.cn

Website: <http://www.aglare.cn>

Add: Factory A, Supply and Marketing Cooperative Park Guanlan Avenue, Guanlan Town Bao'an District, Shenzhen City, Guangdong, China

1.Features:

- × Low power consumption, vivid lighting color
- ×Defending Electricity Leakage
- ×Easy to install, maintenance free
- ×Big viewing angle, long lifespan
- ×Green product, compliant with ROHS and CE.

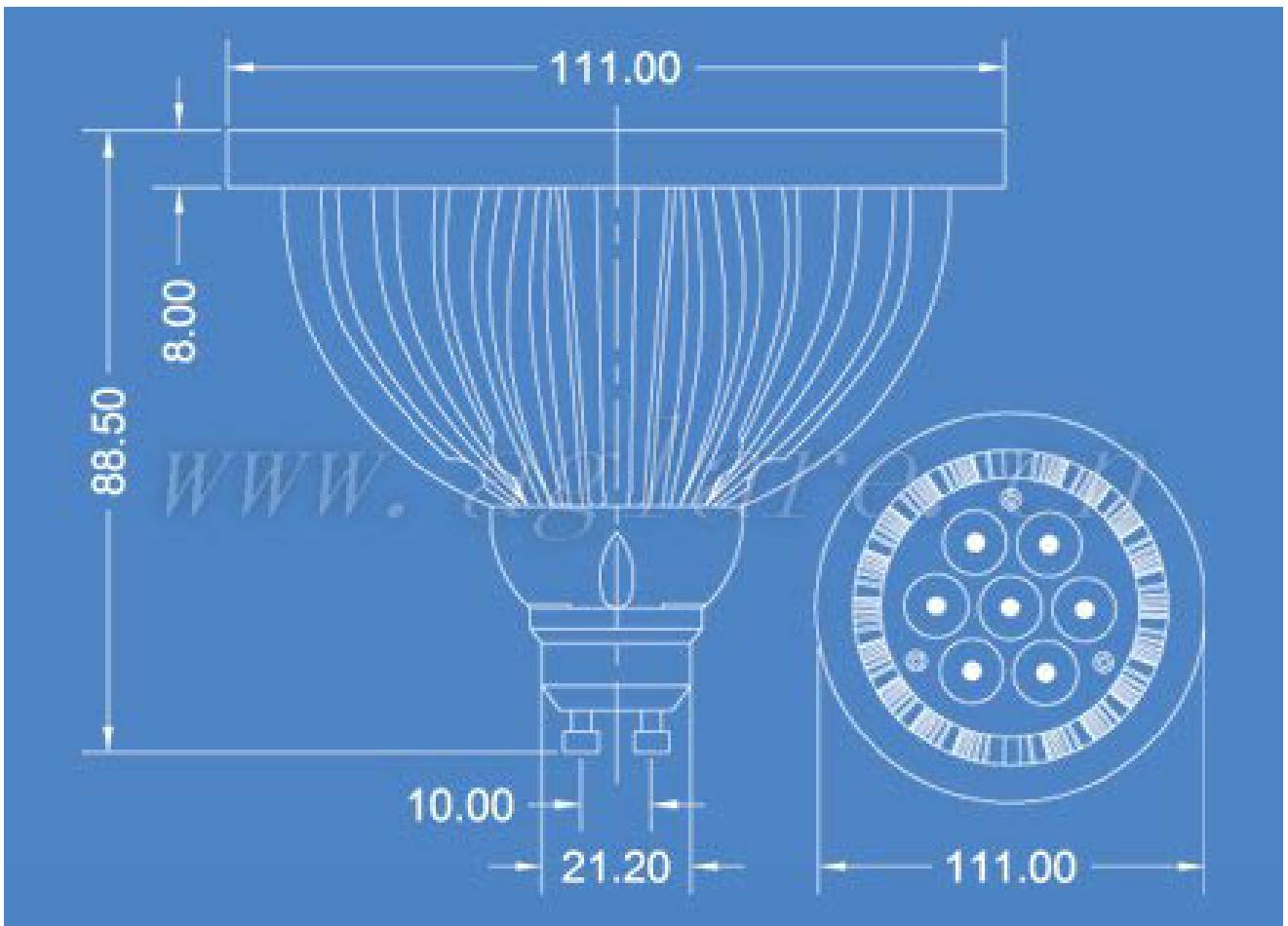
2.Application:

- ×Decoration for indoor illumination
- ×Slim characteristic for Lighting sign etc.

Picture:



3.Package Dimensions (mm):





SHENZHEN AGLARE LIGHTING CO., LTD.

Tel: +86-755-88868631

FAX: +86-755-88863251

E-mail: Aglare@aglare.cn

Website: <http://www.aglare.cn>

Add: Factory A, Supply and Marketing Cooperative Park Guanlan Avenue, Guanlan Town Bao'an District, Shenzhen City, Guangdong, China

4. Absolute Maximum Rating at TA=25°C:

| Part Number | Emitting Color | Input Voltage | Wattage | Waterpro of Degree | LED Quantity | Luminous Intensity(Lm) | | Net Weight |
|-----------------------|----------------|----------------|---------|--------------------|--------------|------------------------|-----|------------|
| | | | | | | MIN | MAX | |
| YJ-D36AR111GU10-7X1R | Red | AC 110~220V | 7X1W | / | 7pcs | 380 | 450 | 353g |
| YJ-D36AR111GU10-7X1G | Green | | | / | | 380 | 450 | |
| YJ-D36AR111GU10-7X1B | Blue | | | / | | 100 | 130 | |
| YJ-D36AR111GU10-7X1Y | Yellow | | | / | | 350 | 420 | |
| YJ-D36AR111GU10-7X1W | Pure White | | | / | | 490 | 700 | |
| YJ-D36AR111GU10-7X1WW | Warm White | | | / | | 450 | 630 | |

5 Characteristic:

Electro-Optical characteristics (Pure White)

(Ta=25°C)

| Parameter | Test Condition | Symbol | Value | | | Unit |
|-------------------------|----------------|--------|-------|-----|-------|------|
| | | | Min | Typ | Max | |
| Color temperature | If=350mA | | 5000 | | 6500 | K |
| Forward voltage | If=350mA | | 3.2 | | 3.8 | V |
| Luminous intensity | If=350mA | | 490 | | 700 | LM |
| Viewing angle at 50% IV | If=150mA | | 15 | 20 | 25 | Deg |
| Useful life | IF=350mA | | 30000 | | 50000 | H |

6.Lumen Decrease

| Operating time (hours) | Lumen decrease [%] |
|--------------------------|----------------------|
| 1000 | 8 |
| 5000 | 15 |
| 10000 | 20 |



SHENZHEN AGLARE LIGHTING CO., LTD.

Tel: +86-755-88868631

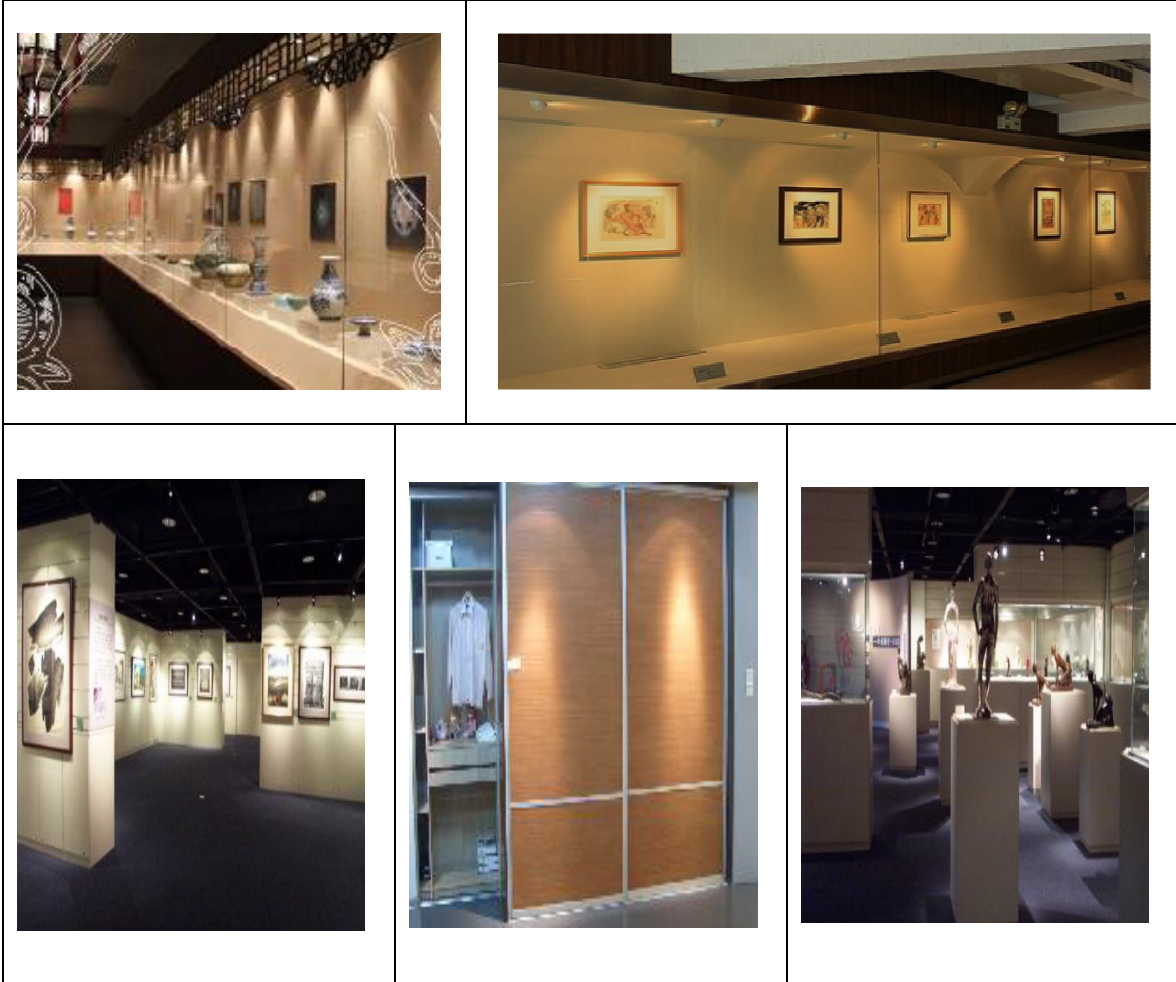
FAX: +86-755-88863251

E-mail: Aglare@aglare.cn

Website: <http://www.aglare.cn>

Add: Factory A, Supply and Marketing Cooperative Park Guanlan Avenue, Guanlan Town Bao'an District, Shenzhen City, Guangdong, China

7. Application Case:



8. Caution:

1. Applicable Voltage: AC110~220V
2. Operating temperature: -30℃ ~ +50℃.
3. The power voltage is permitted in +10%~-10% fluctuating. If it's beyond the said scope, it would influence lifespan, even unlighted or burnt out.
4. Make sure connecting wire is connected and sealed well to avoid defending Electricity Leakage.
5. Make sure waterproof protection, and no defending Water leakage before connecting to extra power supply.
6. Before maintenance, make sure the power cut off. After assembling right, it can be connected power to use.
7. No breaking to any stipulation of fireproofing. Please ask Professional to install.



SHENZHEN AGLARE LIGHTING CO., LTD.

Tel: +86-755-88868631

FAX: +86-755-88863251

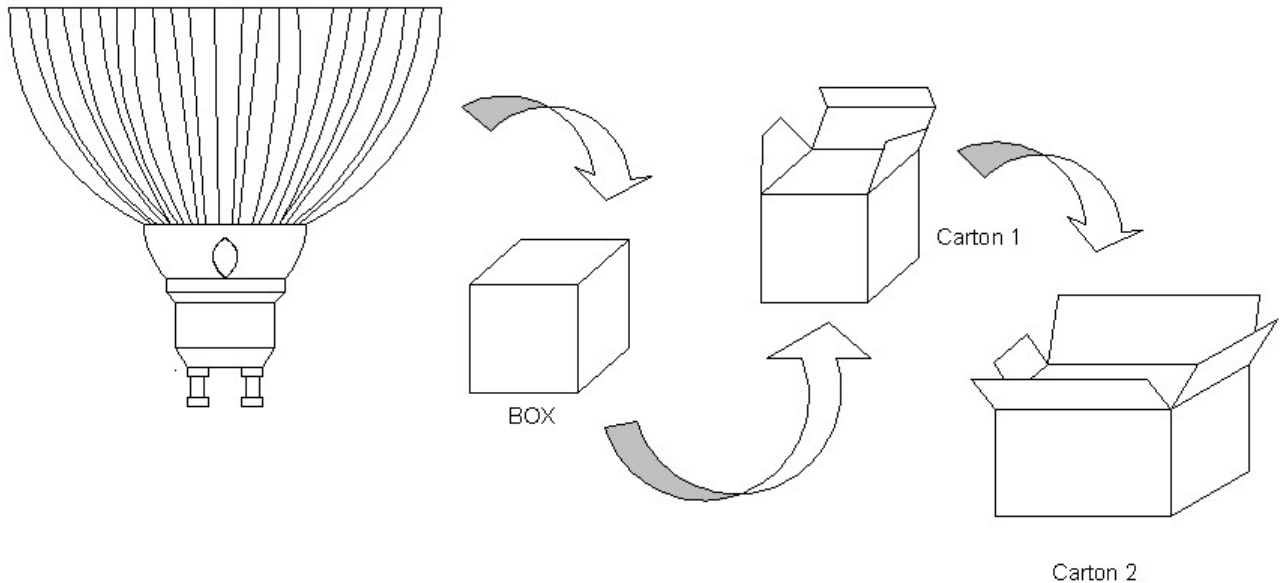
E-mail: Aglare@aglare.cn

Website: <http://www.aglare.cn>

Add: Factory A, Supply and Marketing Cooperative Park Guanlan Avenue, Guanlan Town Bao'an District, Shenzhen City, Guangdong, China

9. Package Information:

| Net (g) | Gross (kg) | Box Size (cm) | CTN1 Size (cm) | Q'ty/CTN1 (pcs) | CTN2 Size (cm) | Q'ty/CTN2 (pcs) |
|---------|------------|---------------|----------------|-----------------|----------------|-----------------|
| 353 | 7.6 | 12*12*9 | 25*25*10 | 4 | 55*30*22 | 16 |



10. After-sales service:

All products are guaranteed to use in one year. Under the right and normal using condition, quality warranty is based on correct conservation, assemblage, and maintenance. As incorrect usage, and disobeying product operation, it's not guaranteed. To the problem within promised time, "Aglare" will solve it by repair, substitute accessories or replacement for your option. Upon exceeding the promised time, there will be material and maintenance fees to be paid by customers.

TEL: +86-755-88868631 FAX: +86-755-88863251 E-mail: service@aglare.cn