



# SHENZHEN AGLARE LIGHTING CO., LTD.

Tel: +86-755-88868631 FAX: +86-755-88863251 E-mail: [Aglare@aglare.cn](mailto:Aglare@aglare.cn) Website: <http://www.aglare.cn>  
Add: Factory A, Supply and Marketing Cooperative Park Guanlan Avenue, Guanlan Town Bao'an District, Shenzhen City, Guangdong, China

## Specification for Approval

Customer: \_\_\_\_\_

Product: YJ-D34PAR30A-7X1R

Part No.: \_\_\_\_\_

Ref. No: \_\_\_\_\_

Date: 2010-06-14

### Made by Shenzhen Aglare Lighting Co. Ltd

Production Dept	Q.C. Dept	Engineering Dept	Marketing Dept
Wen Liu	Fang Yang	Jiang Yang	Fang Wang

### Approved by

Engineering Dept	Production Dept	Q.C. Dept	Manager



# SHENZHEN AGLARE LIGHTING CO., LTD.

Tel: +86-755-88868631

FAX: +86-755-88863251

E-mail: [Aglare@aglare.cn](mailto:Aglare@aglare.cn)

Website: <http://www.aglare.cn>

Add: Factory A, Supply and Marketing Cooperative Park Guanlan Avenue, Guanlan Town Bao'an District, Shenzhen City, Guangdong, China

## 1.Features:

1. Body material: aluminum profiles
2. Light source: 7 pieces high-power LEDs
3. Beam angle:  $20\pm 5^\circ$
4. Luminous intensity:
  - a) Red:380-450LM
  - b) Green:380-450LM
  - c) Blue:100-130LM
  - d) Yellow:350-420LM
  - e) White:490-700LM
  - f) Warm White:450-630LM
5. Input voltage: 110 to 220V AC
6. Power dissipation: 7 x 1W
7. Colors available: white, yellow, red, green, blue, and warm white
8. Net weight: 264.7g
9. Shape: PAR 30
10. Applications: super markets, hotels, taverns, night clubs, disco halls, karaoke rooms, coffee houses, banks, meeting rooms, exhibition halls, wardrobes, show windows and living houses

## Picture:



## 2.Application Case:



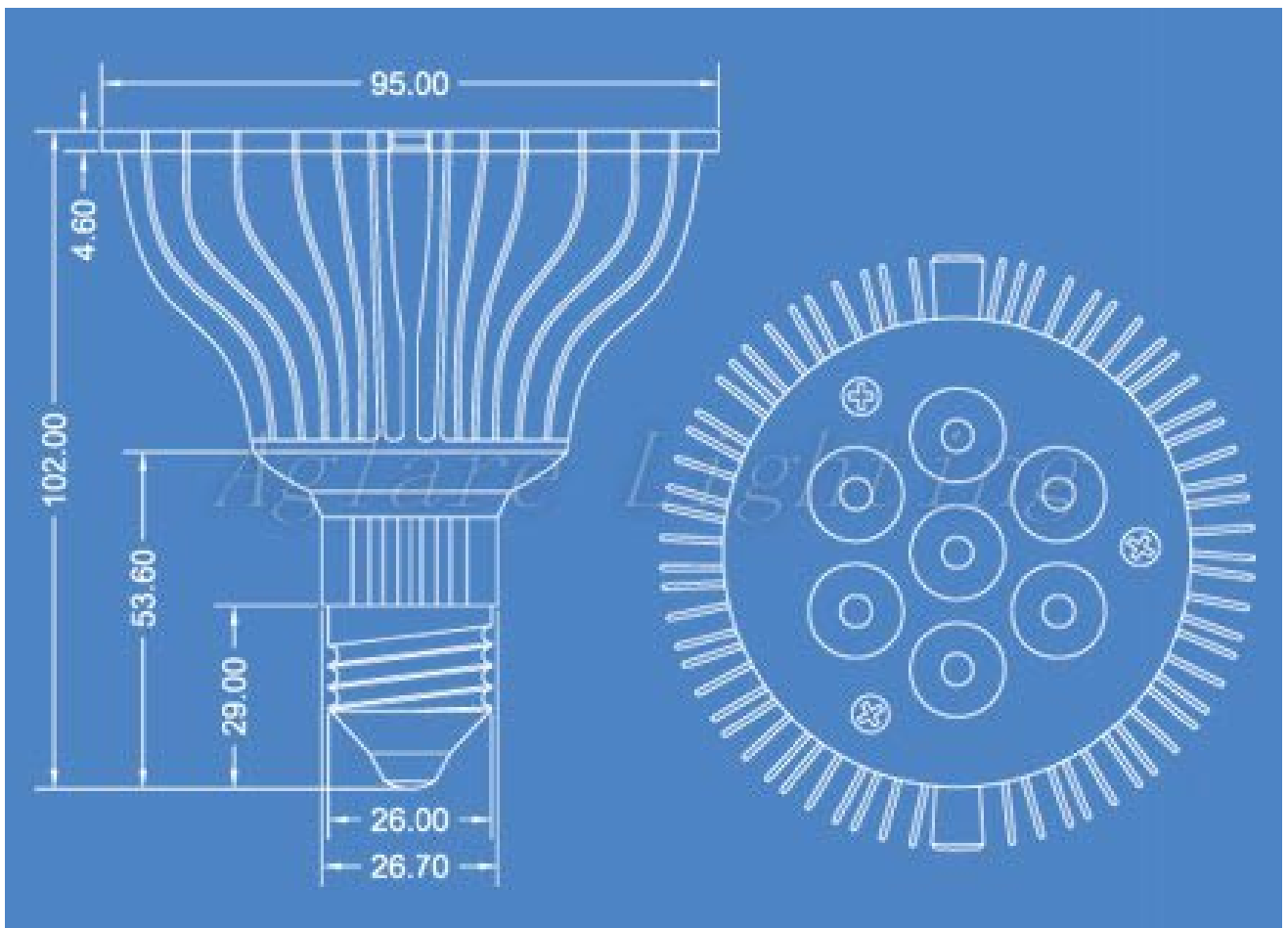


# SHENZHEN AGLARE LIGHTING CO., LTD.

Tel: +86-755-88868631 FAX: +86-755-88863251 E-mail: [Aglare@aglare.cn](mailto:Aglare@aglare.cn) Website: <http://www.aglare.cn>  
Add: Factory A, Supply and Marketing Cooperative Park Guanlan Avenue, Guanlan Town Bao'an District, Shenzhen City, Guangdong, China



### 3.Package Dimensions (mm):



### 4.Absolute Maximum Rating at TA=25°C:



# SHENZHEN AGLARE LIGHTING CO., LTD.

Tel: +86-755-88868631

FAX: +86-755-88863251

E-mail: [Aglare@aglare.cn](mailto:Aglare@aglare.cn)

Website: <http://www.aglare.cn>

Add: Factory A, Supply and Marketing Cooperative Park Guanlan Avenue, Guanlan Town Bao'an District, Shenzhen City, Guangdong, China

Part Number	Emitting Color	Input Voltage	Wattage	Waterpro of Degree	LED Quantity	Luminous Intensity(Lm)		Net Weight (g)
						MIN	MAX	
YJ-D34PAR30A-7*1 R	Red	AC 110V- AC220V	7W	/	7pcs	380	450	264.7
YJ-D34PAR30A-7*1 G	Green			/		380	450	
YJ-D34PAR30A-7*1 B	Blue			/		100	130	
YJ-D34PAR30A-7*1 Y	Yellow			/		350	420	
YJ-D34PAR30A-7*1 W	Pure White			/		490	700	
YJ-D34PAR30A-7*1 WW	Warm White			/		450	630	

## 5. Characteristic:

Electro-Optical characteristics ( Red )						( Ta=25°C )	
Parameter	Test Condition	Symbol	Value			Unit	
			Min	Typ	Max		
Wavelength	If=350mA		620		635	nm	
Forward Voltage	If=350mA		3.2		3.8	V	
Viewing angle at 50% IV	If=180mA		20	25	30	Deg	
Useful life	IF=350mA		30000		50000	H	

## 6.Lumen Decrease

Operating time ( hours )	Lumen decrease [ % ]
1000	8
5000	15
10000	20

## 7. Package Information:



# SHENZHEN AGLARE LIGHTING CO., LTD.

Tel: +86-755-88868631

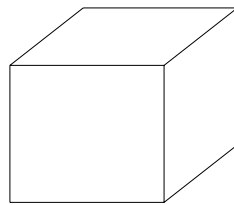
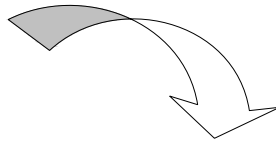
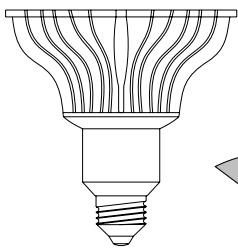
FAX: +86-755-88863251

E-mail: [Aglare@aglare.cn](mailto:Aglare@aglare.cn)

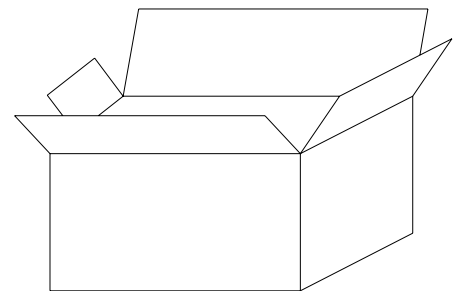
Website: <http://www.aglare.cn>

Add: Factory A, Supply and Marketing Cooperative Park Guanlan Avenue, Guanlan Town Bao'an District, Shenzhen City, Guangdong, China

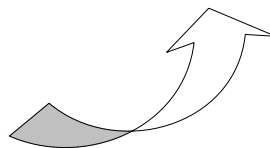
Net (g)	Gross (kg)	Box Size (cm)	Q'ty/BOX (PCS)	CTN1 Size (cm)	Q'ty/CTN1 (PCS)
264.7	11.5	10*10*12	1	65*35*30	36



BOX



Carton 1



## 8. After-sales service:

All products are guaranteed to use in one year. Under the right and normal using condition, quality warranty is based on correct conservation, assemblage, and maintenance. As incorrect usage, and disobeying product operation, it's not guaranteed. To the problem within promised time, "Aglare" will solve it by repair, substitute accessories or replacement for your option. Upon exceeding the promised time, there will be material and maintenance fees to be paid by cu

TEL: +86-755-88868631 FAX: +86-755-88863251 E-mail: [service@aglare.cn](mailto:service@aglare.cn)