



SHENZHEN AGLARE LIGHTING CO., LTD.

Tel: +86-755-88868631 FAX: +86-755-88863251 E-mail: Aglare@aglare.cn Website: <http://www.aglare.cn>
Add: Factory A, Supply and Marketing Cooperative Park Guanlan Avenue, Guanlan Town Bao'an District, Shenzhen City, Guangdong, China

Specification for Approval

Customer: _____

Product: YJ-D46PAR30-7X1W

Part No.: _____

Ref. No: _____

Date: 2010-06-14

Made by Shenzhen Aglare Lighting Co. Ltd

Production Dept	Q.C. Dept	Engineering Dept	Marketing Dept
Wen Liu	Fang Yang	Jiang Yang	Fang Wang

Approved by

Engineering Dept	Production Dept	Q.C. Dept	Manager



SHENZHEN AGLARE LIGHTING CO., LTD.

Tel: +86-755-88868631

FAX: +86-755-88863251

E-mail: Aglare@aglare.cn

Website: <http://www.aglare.cn>

Add: Factory A, Supply and Marketing Cooperative Park Guanlan Avenue, Guanlan Town Bao'an District, Shenzhen City, Guangdong, China

1.Features:

High Power LED Bulb with 7X1W Power Dissipation.

Luminous Intensity: 490-700LM for pure white

.Item: high power LED bulb

1. E27 base are available

2. LED quantity: 7PCS

3. Type:1W high-power LED

4. Input voltage: AC 85-230V , DC12V

5. Current: DC280-300mA

6. Power dissipation: 7X1W

7. Luminous intensity:

a) Red:380-450LM

b) Green:380-450LM

c) Blue:100-130LM

d) Yellow:350-420LM

e) White490-700LM

f) Warm White:450-630LM

8. Net weight: 210g

9. Maximum size: 81*95*95 mm

10. Emitting colors: red, green, blue, yellow, pure white and warm white

Picture:



2.Application Case:



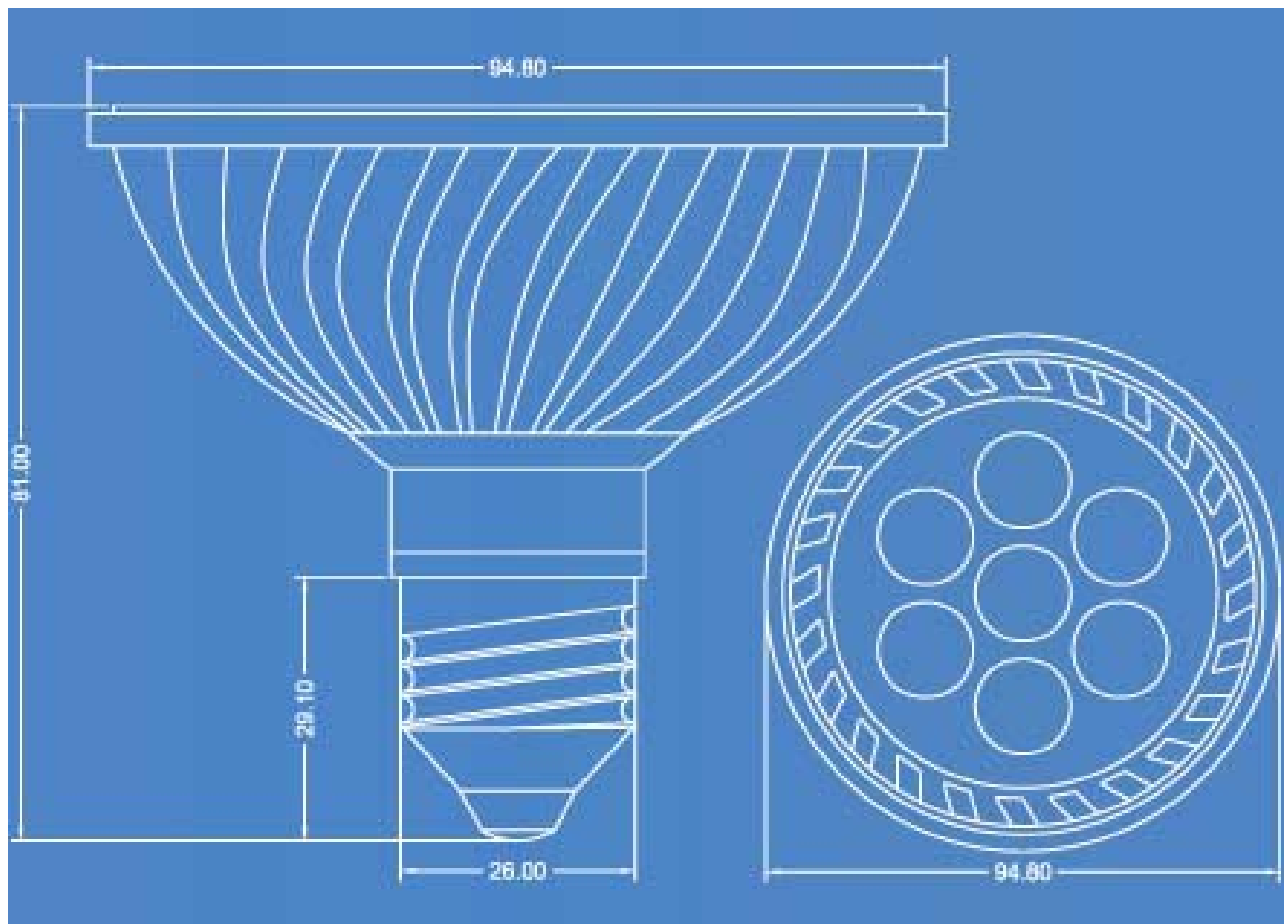


SHENZHEN AGLARE LIGHTING CO., LTD.

Tel: +86-755-88868631 FAX: +86-755-88863251 E-mail: Aglare@aglare.cn Website: <http://www.aglare.cn>
Add: Factory A, Supply and Marketing Cooperative Park Guanlan Avenue, Guanlan Town Bao'an District, Shenzhen City, Guangdong, China



3.Package Dimensions (mm):



4.Absolute Maximum Rating at TA=25°C:



SHENZHEN AGLARE LIGHTING CO., LTD.

Tel: +86-755-88868631

FAX: +86-755-88863251

E-mail: Aglare@aglare.cn

Website: <http://www.aglare.cn>

Add: Factory A, Supply and Marketing Cooperative Park Guanlan Avenue, Guanlan Town Bao'an District, Shenzhen City, Guangdong, China

Part Number	Emitting Color	Input Voltage	Wattage	Waterpro of Degree	LED Quantity	Luminous Intensity(Lm)		Net Weight (g)
						MIN	MAX	
YJ-D46PAR30-7*1R	Red	AC 110V- AC220V DC12V	7X1W	/	7pcs	380	450	210
YJ-D46PAR30-7*1G	Green			/		380	450	
YJ-D46PAR30-7*1B	Blue			/		100	130	
YJ-D46PAR30-7*1Y	Yellow			/		350	420	
YJ-D46PAR30-7*1W	Pure White			/		490	700	
YJ-D46PAR30-7*1W W	Warm White			/		450	630	

5. Characteristic:

Electro-Optical characteristics (White)						(Ta=25°C)
Parameter	Test Condition	Symbol	Value			Unit
			Min	Typ	Max	
Color temperature	If=350mA		5000		6500	K
Forward Voltage	If=350mA		1.8		4	V
Viewing angle at 50% IV	If=180mA		20	25	30	Deg
Useful life	- IF=350mA		30000		50000	H

6.Lumen Decrease

Operating time (hours)	Lumen decrease [%]
1000	8
5000	15
10000	20

7. Package Information:



SHENZHEN AGLARE LIGHTING CO., LTD.

Tel: +86-755-88868631

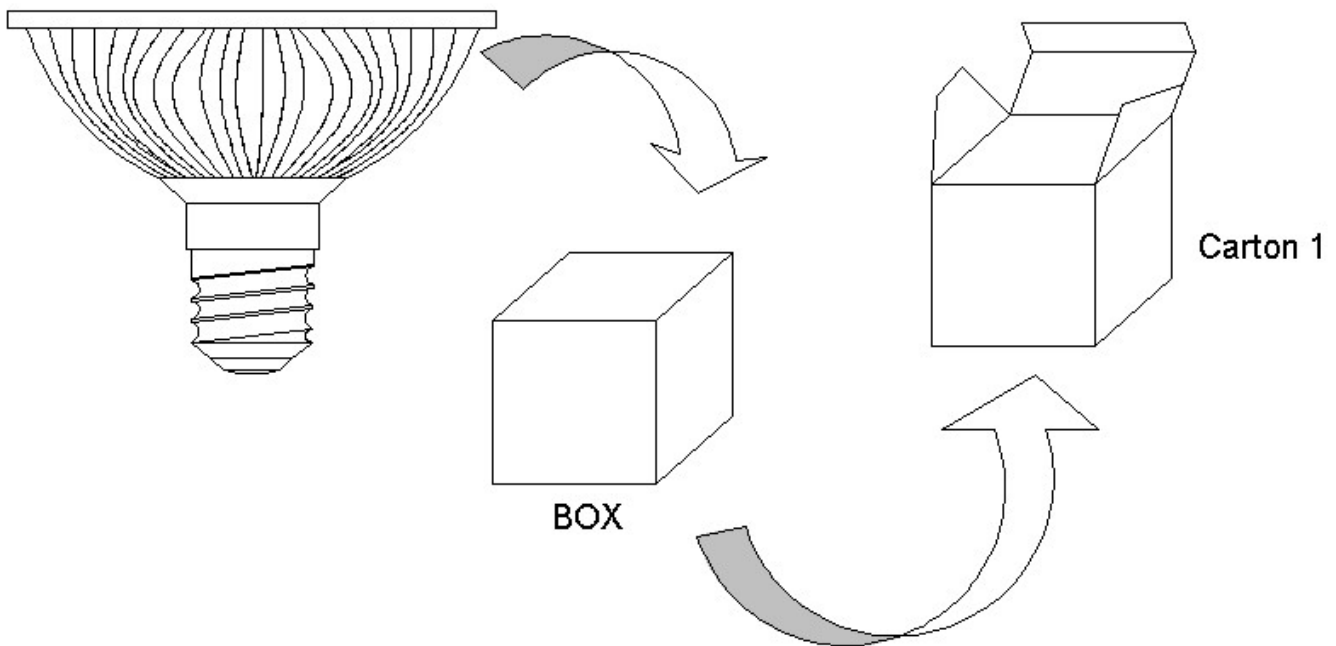
FAX: +86-755-88863251

E-mail: Aglare@aglare.cn

Website: <http://www.aglare.cn>

Add: Factory A, Supply and Marketing Cooperative Park Guanlan Avenue, Guanlan Town Bao'an District, Shenzhen City, Guangdong, China

Net (g)	Gross (kg)	Box Size (cm)	Q'ty/BOX (PCS)	CTN1 Size (cm)	Q'ty/CTN1 (PCS)
210	8.5	10*10*12	1	65*35*30	36



8. After-sales service:

All products are guaranteed to use in one year. Under the right and normal using condition, quality warranty is based on correct conservation, assemblage, and maintenance. As incorrect usage, and disobeying product operation, it's not guaranteed. To the problem within promised time, "Aglare" will solve it by repair, substitute accessories or replacement for your option. Upon exceeding the promised time, there will be material and maintenance fees to be paid by cu

TEL: +86-755-88868631 FAX: +86-755-88863251 E-mail: service@aglare.cn