



## YJ-SLF360W80 led flood light

### 1. Features:

- × Low power consumption, vivid lighting color
- × Defending Electricity Leakage
- × Easy to install, maintenance free
- × Big viewing angle, long lifespan
- × Green product, compliant with ROHS and CE.

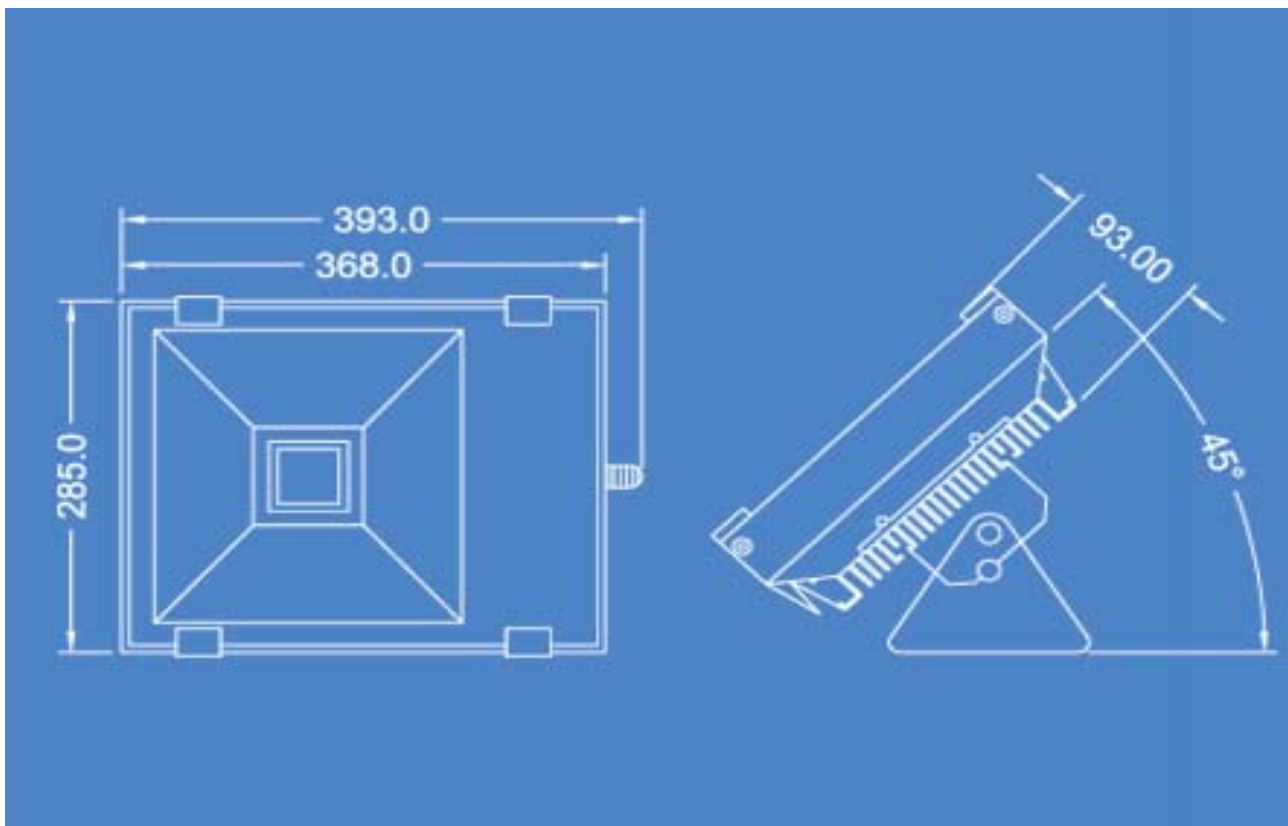
### 2. Application:

Illumination for park, billboard, street, tunnel, parking lot, garden, factory, and wall washing

### Picture



### 3. Package Dimensions (mm):



- 1). All dimensions are in millimeters
- 2). Tolerance is 0.5 mm unless otherwise noted
- 3). Voltage supply: AC85-AC265V



## 4.YJ-SLF360W80 Characteristic:

### LIGHT EMITTING DIODE LAMPS

#### Absolute maximum ratings

	Symbol	Value	Unit
Input Voltage	u	AC85-265	V
Frequency Range	F	50-60	HZ
Power Factor		>0.98	
Power Efficiency		>85%	
Working voltage	u	DC30-36	V
Forward current	I	2560	mA
System Consumption	P	86	W
Led Consumption	P	76	W
LED Luminous Efficiency		60-100Lm/W	
LED Initial Flux	WW	5550	Lm
	PW	5900	Lm
	CW	5650	Lm
Lamp's Efficiency		>80%	
Average Luminance	Height=6M	30	Lux
	Height=8M	16.4	Lux
	Height=10M	10.5	Lux



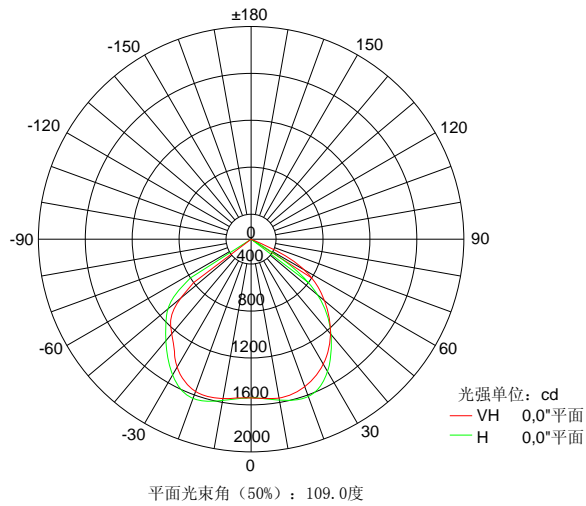
Luminance Area	Height=6M	10*10M	
	Height=8M	14*14M	
	Height=10M	17*17M	
Luminance Uniformity	>0.6		
Color Temperature	WW	2700-3900	K
	PW	3900-6500	K
	CW	6500-8000	K
Color Rendering Index	WW	Ra>68	
	PW,CM	Ra>75	
LED Junction Temperature	Top	<=80	°C
Operating temperature range	Top	-40~+55	°C
Storage temperature range	Top	-25~+65	°C

## 5, Absolute Maximum Rating at TA=25°C:

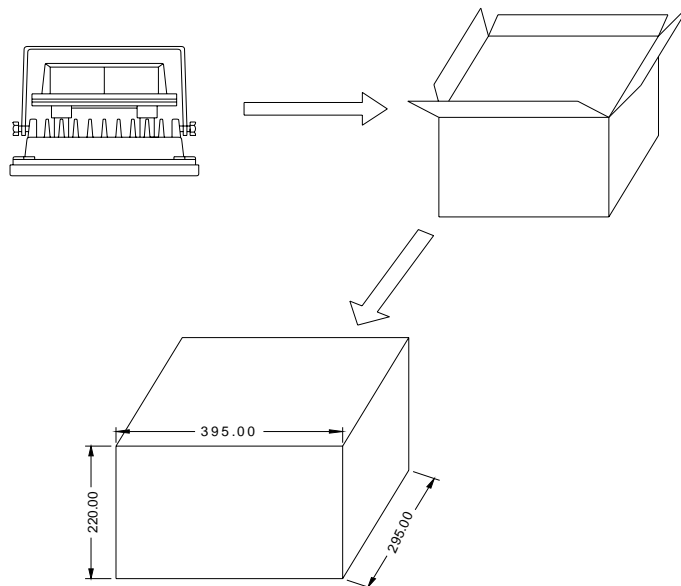
Part Number	Emitting Color	Input Voltage	Wattage	Waterproof Degree	LED Quantity	Luminous Intensity(Lm)		Net Weight(g)	Working Life-span (H)
						MIN	MAX		
YJ-SLF360R80	Red	AC85V- AC265V	80W	IP65	1pcs	3040	4550	8000	50000
YJ-SLF360G80	Green		80W	IP65	1pcs	4560	6840	8000	50000
YJ-SLF360B80	Blue		80W	IP65	1pcs	608	912	8000	50000
YJ-SLF360Y80	Yellow		80W	IP65	1pcs	3040	4550	8000	50000
YJ-SLF360W80	Pure White		80W	IP65	1pcs	4800	7600	8000	50000
YJ-SLF360WW80	Warm White		80W	IP65	1pcs	4150	6450	8000	50000



## 6, Light Distribution:



## 7, Installation:



## 8, After-sales service:

All products are guaranteed to use in one year. Under the right and normal using condition, quality warranty is based on correct conservation, assemblage, and maintenance. As incorrect usage, and disobeying product operation, it's not guaranteed. To the problem within promised time, "Aglare" will solve it by repair, substitute accessories or replacement for your option. Upon exceeding the promised time, there will be material and maintenance fees to be paid by customers.

**TEL: +86-755-88868631 FAX: +86-755-88863251 E-mail: [service@aglare.cn](mailto:service@aglare.cn)**