



SHENZHEN AGLARE LIGHTING CO., LTD.

Tel: +86-755-88868631

FAX: +86-755-88863251

E-mail: Aglare@aglare.cn

Website: <http://www.aglare.cn>

Add: Factory A, Supply and Marketing Cooperative Park Guanlan Avenue, Guanlan Town Bao'an District, Shenzhen City, Guangdong, China

Specification for Approval

Customer: _____

Product: YJ-D33PAR38A-9X1R

Part No.: _____

Ref. No: _____

Date: 2010-06-14

Made by Shenzhen Aglare Lighting Co. Ltd

Production Dept	Q.C. Dept	Engineering Dept	Marketing Dept
Wen Liu	Fang Yang	Jiang Yang	Fang Wang

Approved by

Engineering Dept	Production Dept	Q.C. Dept	Manager



SHENZHEN AGLARE LIGHTING CO., LTD.

Tel: +86-755-88868631

FAX: +86-755-88863251

E-mail: Aglare@aglare.cn

Website: <http://www.aglare.cn>

Add: Factory A, Supply and Marketing Cooperative Park Guanlan Avenue, Guanlan Town Bao'an District, Shenzhen City, Guangdong, China

1.Features:

- ✧ Power dissipation: 9 x 1W
- ✧ Beam angle: 20 to 30°
- ✧ Housing material: aluminum profiles
- ✧ Shape: PAR 38
- ✧ Maximum size: 138*120*120mm
- ✧ Net weight: 475.4g
- ✧ Emitting colors: warm white, pure white, cool white, red, green, blue and yellow
- ✧ Defending Electricity Leakage. Easy to install and maintenance free.
- ✧ Green product, compliant with ROHS and CE.
- ✧ Suitable for family, hotel, restaurant, hall, pub, casino, show business, lighting, marketplace, meeting room and exhibition

Picture:



2.Application Case:



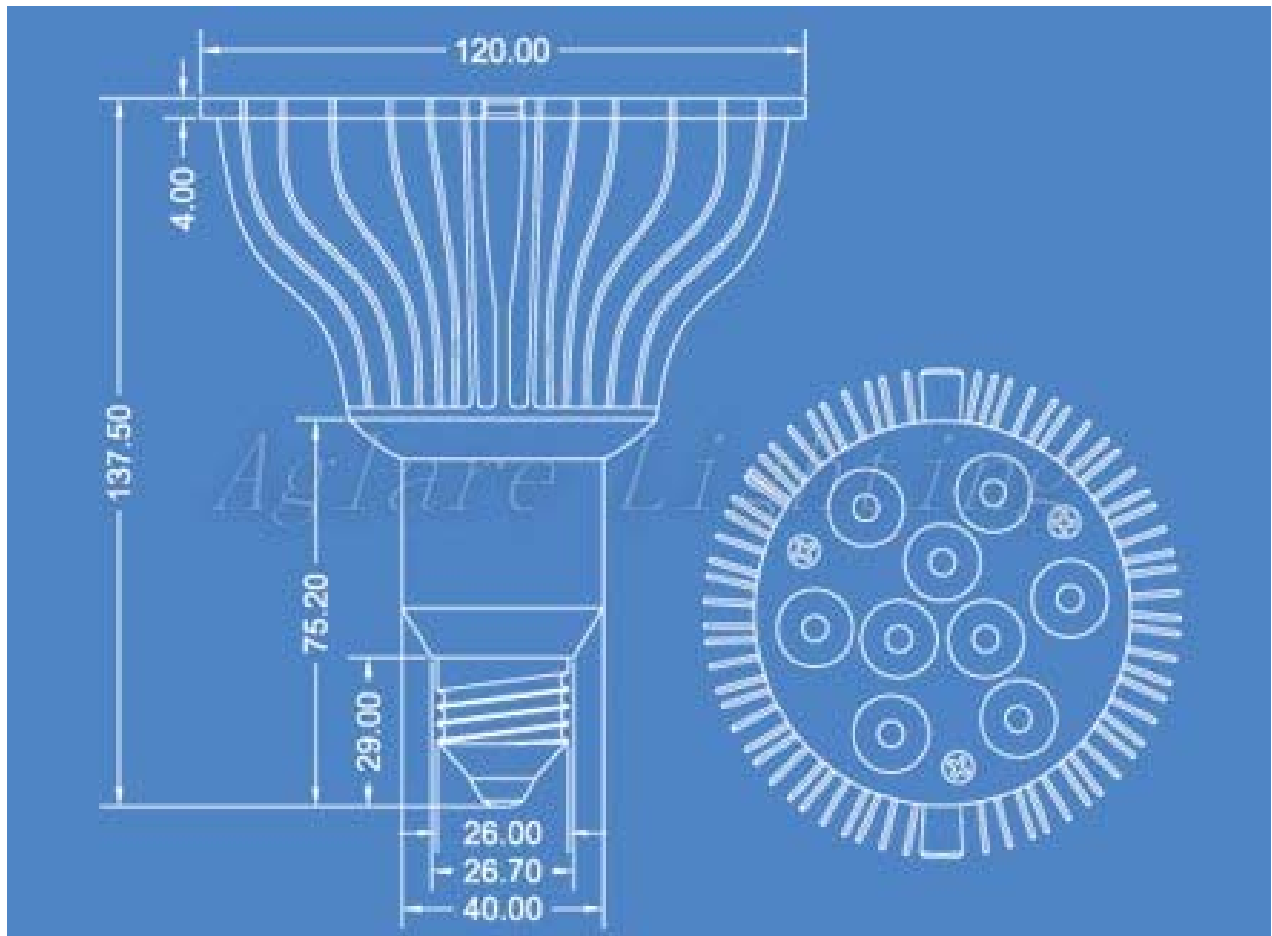


SHENZHEN AGLARE LIGHTING CO., LTD.

Tel: +86-755-88868631 FAX: +86-755-88863251 E-mail: Aglare@aglare.cn Website: <http://www.aglare.cn>
Add: Factory A, Supply and Marketing Cooperative Park Guanlan Avenue, Guanlan Town Bao'an District, Shenzhen City, Guangdong, China



3.Package Dimensions (mm):



4.Absolute Maximum Rating at TA=25°C:



SHENZHEN AGLARE LIGHTING CO., LTD.

Tel: +86-755-88868631

FAX: +86-755-88863251

E-mail: Aglare@aglare.cn

Website: <http://www.aglare.cn>

Add: Factory A, Supply and Marketing Cooperative Park Guanlan Avenue, Guanlan Town Bao'an District, Shenzhen City, Guangdong, China

Part Number	Emitting Color	Input Voltage	Wattage	Waterpro of Degree	LED Quantity	Luminous Intensity(Lm)		Net Weight (g)
						MIN	MAX	
YJ-D33PAR38A-9X1R	Red	AC 110V-AC220V	9W	/	9pcs	500	590	475.4
YJ-D33PAR38A-9X1G	Green		9W	/	9pcs	500	590	475.4
YJ-D33PAR38A-9X1B	Blue		9W	/	9pcs	126	160	475.4
YJ-D33PAR38A-9X1Y	Yellow		9W	/	9pcs	500	540	475.4
YJ-D33PAR38A-9X1W	Pure White		9W	/	9pcs	630	900	475.4
YJ-D33PAR38A-9X1WW	Warm White		9W	/	9pcs	600	810	475.4

5. Characteristic:

Electro-Optical characteristics (Red)						(Ta=25°C)	
Parameter	Test Condition	Symbol	Value			Unit	
			Min	Typ	Max		
Wavelength	If=350mA		620		635	nm	
Forward Voltage	If=350mA		3.0		3.8	V	
Viewing angle at 50% IV	If=180mA		20	25	30	Deg	
Useful life	- IF=350mA		30000		50000	H	

6.Lumen Decrease

Operating time (hours)	Lumen decrease [%]
1000	8
5000	15
10000	20

7. Package Information:



SHENZHEN AGLARE LIGHTING CO., LTD.

Tel: +86-755-88868631

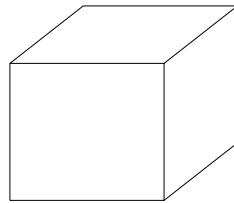
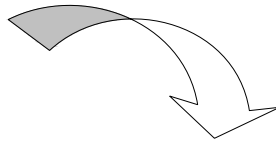
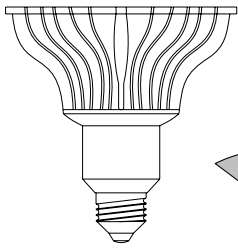
FAX: +86-755-88863251

E-mail: Aglare@aglare.cn

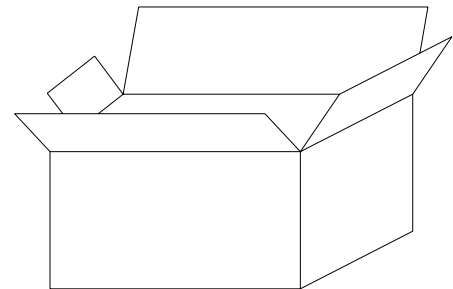
Website: <http://www.aglare.cn>

Add: Factory A, Supply and Marketing Cooperative Park Guanlan Avenue, Guanlan Town Bao'an District, Shenzhen City, Guangdong, China

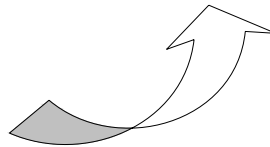
Net (g)	Gross (kg)	Box Size (cm)	Q'ty/BOX (PCS)	CTN1 Size (cm)	Q'ty/CTN1 (PCS)
475.4	10	12.5*12.5*14.5	1	65*35*30	16



BOX



Carton 1



8. After-sales service:

All products are guaranteed to use in one year. Under the right and normal using condition, quality warranty is based on correct conservation, assemblage, and maintenance. As incorrect usage, and disobeying product operation, it's not guaranteed. To the problem within promised time, "Aglare" will solve it by repair, substitute accessories or replacement for your option. Upon exceeding the promised time, there will be material and maintenance fees to be paid by cu

TEL: +86-755-88868631 FAX: +86-755-88863251 E-mail: service@aglare.cn